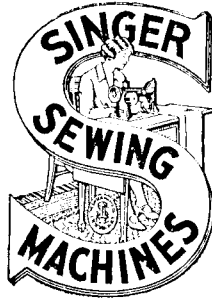


SINGER
119W1,W5

LIST OF PARTS



MACHINES Nos. 119w1 and 119w5

THE SINGER MANUFACTURING COMPANY

INDEX

	PAGE
ACCESSORIES	32
BALANCE WHEELS	36
BOBBIN WINDER	32
BOX PLATER	42
CORD HOLDER	36
HEMMERS	37
KNEE LIFTER	33
LAP SEAM FELLER	43
MACHINE No. 119w1	7
" " 119w5	20
NUMERICAL LIST OF PARTS	47
OBSOLETE PARTS	45
PICOT EDGE CUTTING DEVICE	44
PRESSER FEET	35
THREAD UNWINDER	34

From the library of: Diamond Needle Corp

Instructions for Ordering

In ordering from this list, use **ONLY** the **PART** number in the **FIRST** column.

The number stamped on a Sewing Machine Part is the number of the Single Part only, except when the part includes Set Screws, Clamping Screws, Studs and Rollers Spun on, Small Wires riveted, or Parts soldered together, etc., which it is necessary to furnish in combination.

Every combination of parts sent out has its specific number which, although not stamped on Parts (except in above cases) must be used when ordering the combination.

Each number always indicates the **SAME PART** in whatever list it appears, or for whatever Machine.

The letters after some of the numbers indicate the style of finish only, as follows:

- A. Hardened, Polished and Plated.
- B. Polished and Plated.
- C. Hardened only.
- D. Polished only.
- E. Soft, not polished.
- F. Hardened and Polished.
- H. Blued.

These letters **MUST BE USED** when they appear in the list and **AFTER** the number, as in the list.

In this series

- 200001 to 201500 are Screw Numbers.
- 201501 to 201800 are Nut Numbers.
- 201801 to 202000 are Roller Numbers.
- 202001 and upward are numbers of Machine Parts.

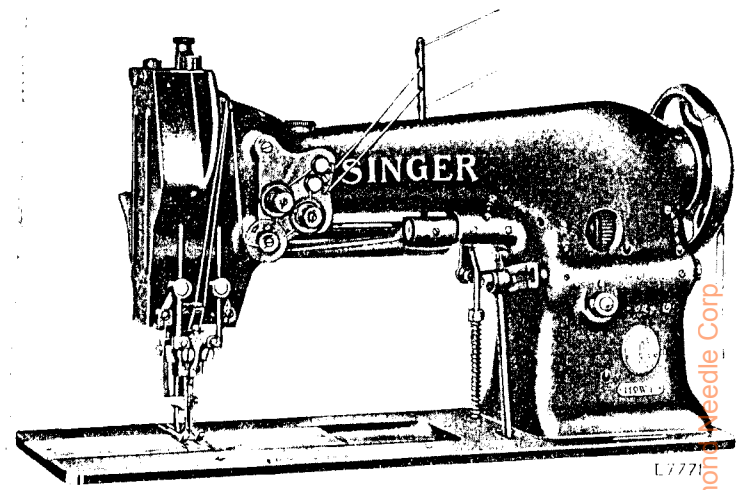
The figures in the second column refer only to the plate in which the illustration of the part is shown and are **NOT TO BE USED** in ordering.

Two or more numbers over a cut indicate that the difference between such parts is not visible in an illustration.

Parts marked with an asterisk (*) are furnished only when repairs are made at the factory.

LIST OF PARTS COMPLETE

FOR



MACHINE No. 119w1

HIGH SPEED HEMSTITCH

For Ornamental Hemstitching in Handkerchiefs, Shirt
 Waists, Neckties, Underwear, etc., with $\frac{1}{16}$ in.
 Openings. Has Forward Speed

No.	Plate	Name
*247501	---	Arm with 202135 and four 247579..
204235	15051	" Position Pin (2)
200010E	15051	" Screw (3)
202005	15051	" " Washer (3)
247502	15052	" Shaft with 200357E and 203100
237748	15053	" " Bushing (back) with 202299
202299	---	Arm Shaft Bushing (back) Oil Packing (wick)
200071E	15051	Arm Shaft Bushing (back) Screw (3)
207080	15053	Arm Shaft Bushing (front) with 202244
202244	---	Arm Shaft Bushing (front) Oil Packing (wick)
200502B	15051	Arm Shaft Bushing (front) Oil Packing Thumb Screw

From the library of: Diamond Needle Corp

No.	Plate	Name
200338c	15051	Arm Shaft Bushing (front) Set Screw
203100	—	Arm Shaft Oil Packing (wick)
200357E	15051	" " " " Stop Screw ..
235505	15053	" Side Cover
732D	15051	" " " Screw
234739	15051	Auxiliary Piercer
234714	15051	" " Holder with 200117E and 200389c
200117E	15051	Auxiliary Piercer Holder Screw ...
350239c	15051	" " " Stud
201537H	15051	" " " " Nut
213239	15051	" " " " " Washer
225604	15051	Auxiliary Piercer Holder Stud Washer
200389c	15051	Auxiliary Piercer Set Screw
223842	15052	Balance Wheel (belt groove 2 3/4 in. diam.) with 200328c and 200335c
200062H	15051	Balance Wheel Adjusting Screw ..
200328c	15051	" " Position Screw
200335c	15051	" " Set Screw
*247503	—	Bed with 203376
247504	15056	" Slide (back)
223811	15051	" " " Stop
223812	15051	" " " Spring
224044	15056	" " (front)
203208	15054	Bobbin (2)
235769	15054	" Case Base with 202056, 203211 to 203213 and 203216
203211	15054	Bobbin Case Base Latch
*202056	—	" " " Pin
203212	15054	" " " Plunger ..
203213	15054	" " " Spring ...
235770	15054	" " Cap with 200594c, 200984c and 235771
235078	15054	Bobbin Case Lever
*203476	—	" " " Eccentric
204243	15054	" " " Position Pin
235751	15054	Bobbin Case Lever Fulcrum
200066D	15054	" " " Screw ..
203478	15054	" " " Stud
235771	15054	" " Tension Spring
200984c	15054	" " " Regulating Screw
200594c	15054	Bobbin Case Tension Spring Screw
203216	—	" " Washer (cloth)

No.	Plate	Name
235772	15051	Bobbin Case complete, Nos. 235769 and 235770
247505	15053	Face Plate
202135	15055	" " Position Pin
200462B	15069	" " Thumb Screw
235697	15053	Feed Bar with 201535E, 204189 and 350219E
200641c	15057	Feed Bar Hinge Screw
201522E	15057	" " " Nut
202276	15057	" " Slide Block
200205E	15051	" " " Hinge Screw
201518E	15051	" " " " Nut
204443	15062	Feed Bar Spring
203060	15062	" " " Hook
204189	15055	" " " "
212827	15071	" Dog
200106E	15051	" " Screw (2)
350219E	15051	" " Support Screw
201535E	15051	" " " Nut
247506	15056	" Driving Cam with two 200347c
200347c	15051	" " Set Screw
247507	15056	" " Connection
235513	15051	" " " Bearing
202298	15051	" " " Crank with 200038c
200038c	15051	Feed Driving Connection Crank Pinch Screw
201306c	15051	Feed Driving Connection Hinge Screw
201518E	15051	Feed Driving Connection Hinge Screw Nut
247508	15056	Feed Driving Rock Shaft
247509	—	" " " " 247508 with 200641c, 201522E and 235697
235619	15051	Feed Driving Rock Shaft Center (2)
200043c	15051	" " " " Set Screw (2)
247586	15056	Feed Driving Segment Lever with 201311c, 201531E, 201871, 235637 and 247511
235637	15055	Feed Driving Segment Lever Pin ..
201871	15055	" " " " Roller
201311c	15055	" " " " " Screw Stud
201531E	15055	Feed Driving Segment Lever Roller Screw Stud Nut
247511	—	Feed Driving Segment Lever Shaft
247512	15055	" " " " " Bushing (left)

No.	Plate	Name
247513	15055	Feed Driving Segment Lever Shaft Bushing (right)
200346c	15055	Feed Driving Segment Lever Shaft Bushing Set Screw (2)
247593	15055	Feed Driving Segment Lever Shaft Collar with 200119F
200119F	15055	Feed Driving Segment Lever Shaft Collar Set Screw
247514	15058	Feed Lifting Cam and Gear, 54 teeth
200540D	15055	" " " " " Cap Screw
222521	15055	Feed Lifting Cam and Gear Cap Screw Washer
247515	15058	Feed Lifting Cam and Gear Driving Pinion, 18 teeth, with two 200388c
200388c	15055	Feed Lifting Cam and Gear Driving Pinion Set Screw
247516	15058	Feed Lifting Cam and Gear Shaft (hollow) with 204110 and two 204111
204110	—	Feed Lifting Cam and Gear Shaft Oiling Leather
204111	—	Feed Lifting Cam and Gear Shaft Oiling Leather Pin (leather) ...
200363c	15055	Feed Lifting Cam and Gear Shaft Set Screw (2)
247517	15058	Feed Lifting Connection
202298	15051	" " " Crank with 200038c
200038c	15051	Feed Lifting Connection Crank Pinch Screw
201306c	15051	Feed Lifting Connection Hinge Screw (2)
201518E	15051	Feed Lifting Connection Hinge Screw Nut (2)
247518	15058	Feed Lifting Lever
201871	15055	" " " Roller
201097c	15055	" " " " Screw Stud
201530E	15055	" " " " " " Nut
247519	15052	Feed Lifting Rock Shaft
235619	15051	" " " " Center (2)
200043c	15051	" " " " " Set Screw (2)
201309E	15055	Feed Regulating Screw Slide
201652E	15055	" " " " Nut
235524	15057	" " " " Washer

No.	Plate	Name
*203511	---	Hook (sewing)
247520	15055	" 203511 with 224100 and two 201253F
247521	---	Hook and Bobbin Case complete, Nos. 235772 and 247520
236086	15055	Hook Driving Gear with 200383c and 200398c
247522	15052	Hook Driving Gear Guard
200034c	15055	" " " " Screw (2)
200398c	15055	" " " Position Screw .
200383c	15055	" " " Set Screw
247523	15052	" " Shaft
235857	15055	" " " Bevel Gear with 200374c and 200396c
*235858	---	Hook Driving Shaft Bevel Gear Guard Section (back)
*235859	---	Hook Driving Shaft Bevel Gear Guard Section (front)
201405E	15055	Hook Driving Shaft Bevel Gear Guard Screw
235860	15056	Hook Driving Shaft Bevel Gear Guard complete, Nos. 201405E, 235858 and 235859
200396c	15055	Hook Driving Shaft Bevel Gear Position Screw
200374c	15055	Hook Driving Shaft Bevel Gear Set Screw
247524	15058	Hook Driving Shaft Bushing (back)
247578	15058	" " " " (center or front) (2)
200346c	15055	Hook Driving Shaft Bushing Set Screw (3)
221743	15055	Hook Driving Shaft Collar with two 200380c
200380c	15055	Hook Driving Shaft Collar Set Screw
224100	15057	Hook Gib
201253F	15057	" " Screw
247525	15058	" Saddle (left or right)
200034c	15055	" " Screw (4)
235865	15057	" " " Washer (4)
247526	---	Hook Saddle (left or right) complete, Nos. 200066D, 200555U, 203478, 235751, 235866, 236078, 236088, 247521, 247525 and 247527 (2)
235866	15057	Hook Socket
236088	15057	" " Gear (spiral) with 200378c and 200383c

No.	Plate	Name
200378c	15057	Hook Socket Gear Position Screw
200383c	15055	" " " " Set Screw
200555r	15057	" " Screw
247527	15057	" Washer with 203476 and two 204243
247663	-----	Knee Lifter Bell Crank
247664	---	" " " " Bracket
247665	15058	" " " " " "
		247664 with 5601 and 247663
178F	15057	Knee Lifter Bell Crank Bracket Screw (2)
		5601 15057 Knee Lifter Bell Crank Hinge Pin
		5735 15057 " " " " Spring
247528	15052	" " Lifting Lever
247529	15052	" " " " Connecting Rod with 202302
202302	15057	Knee Lifter Lifting Lever Connect- ing Rod Cotter Pin
12416	15057	Knee Lifter Lifting Lever Connect- ing Rod Joint
350242r	15057	Knee Lifter Lifting Lever Connect- ing Rod Joint Hinge Screw
201520r	15057	Knee Lifter Lifting Lever Connect- ing Rod Joint Hinge Screw Nut..
1521E	15057	Knee Lifter Lifting Lever Connect- ing Rod Lock Nut
206628	15057	Knee Lifter Lifting Lever Connect- ing Rod Spring
227625	15057	Knee Lifter Lifting Lever Connect- ing Rod Spring Collar with 200113F
200113F	15055	Knee Lifter Lifting Lever Connect- ing Rod Spring Collar Set Screw
200262r	15057	Knee Lifter Lifting Lever Hinge Screw
247531	15059	Needle Bar
247532	15059	" " Bushing (lower)
247533	15059	" " " (upper)
200338c	15051	" " " " Set Screw (2)..
202552	15059	" " Connecting Link
202333	15059	" " " " Stud with 202254
202254	---	Needle Bar Connecting Link Stud Oil Packing (wick)
200374c	15055	Needle Bar Connecting Link Stud Set Screw
200383c	15055	Needle Bar Connecting Link Stud Set Screw
247534	15059	Needle Bar Connecting Stud with 200072c and 222598

No.	Plate	Name
222598	---	Needle Bar Connecting Stud Oil Packing (wick)
200072c	15059	Needle Bar Connecting Stud Pinch Screw
201992	15059	Needle Bar Connecting Stud Roller
247535	15058	" " Crank with 200335c, 200374c, 200383c, 200428c and 202333
203172	15059	Needle Bar Crank Friction Washer
200428c	15059	" " " " Position Screw ..
200335c	15051	" " " " Set Screw
213256	15059	" " Thread Guide
200130F	15059	" Clamping Screw
247583	15059	" Holder (left) with two 200130F
247584	15059	" " (right) with two 200130F
247539	15061	" " Bracket with 201030F..
247585	-----	" " " " 247539 with 213239, 213256, 247583, 247584, 350239c, two each 201183F, 350240c, three each 201537r and 225604
201030F	15059	Needle Holder Bracket Screw
201183F	15059	" " Cap Screw
350240c	15061	" " Hinge Stud
201537r	15051	" " " " Nut
225604	15051	" " " " Washer ..
247541	15061	" Vibrating Bell Crank (left)..
247542	15061	" " " " (right)
210932	15061	" " " " Hinge Stud with 210933
210933	-----	Needle Vibrating Bell Crank Hinge Stud Oil Packing (wick)
200347c	15051	Needle Vibrating Bell Crank Hinge Stud Set Screw
247543	15061	Needle Vibrating Bell Crank Link (2)
247544	15060	Needle Vibrating Cam with two 200382c
200382c	15061	Needle Vibrating Cam Set Screw..
247545	15061	" " Connection Rod (2)..
200130F	15059	" " " " Clamp- ing Screw
247577	15061	Needle Vibrating Connection Rod Swivel (2)
247546	15061	Needle Vibrating Crank (right) with 200072c
247547	15061	Needle Vibrating Crank (left) with 200072c

No.	Plate	Name
214004	---	Piercer Bar Lifting Rock Shaft Crank 213255 with 213249
205532	15063	Piercer Bar Lifting Rock Shaft Crank Position Pin
201812	15063	Piercer Bar Lifting Rock Shaft Crank Roller and Stud
213253	15063	Piercer Holder with 200117F
200076D	15063	" " Screw
200117F	15051	" Set Screw
213791	15064	Presser Bar
224391	15063	" " Bushing
200398C	15055	" " " Set Screw
247564	15063	" " Lifter
247565	15063	" " Lifting Lever with 200378C
200378C	15057	Presser Bar Lifting Lever Set Screw
244004	15063	Presser Bar Lifting Releasing Lever Bracket
200260E	15063	Presser Bar Lifting Releasing Lever Bracket Guide Screw
206608	15063	Presser Bar Lifting Releasing Lever Bracket Spring
233634	15065	Presser Bar Position Guide
202338	15065	" " " " Lever with 200086F
200086F	15065	Presser Bar Position Guide Lever Pinch Screw
200352C	15065	Presser Bar Position Guide Set Screw
247567	15065	Presser Bar Sleeve
247580	15065	" " Spring
234044	15065	" " " Stop Rod
200492B	15065	" " Thumb Screw (pressure regulating)
200475B	15065	Presser Bar Thumb Screw Thumb Set Screw
202355	15065	Presser Bar Thumb Screw Thumb Set Screw Packing (brass) (2)
200436F	15065	Presser Foot Adjusting Screw
200086F	15065	" " " " Clamp Screw
221479	15065	Presser Foot Hinge Pin
229685	15065	" " " Stud
200397H	15065	" " " " Set Screw
229706	15071	" " Plate (left)
229707	15071	" " " (right)
206653	14214	" " Shank (left) with 200086F, 200397H and 200436F

No.	Plate	Name
229775	14214	Presser Foot Shank 206653 with 221479 and 229706
229796	---	Presser Foot Shank (right) with 200086F
229776	14214	Presser Foot Shank 229796 with 221479 and 229707
200086F	15065	Presser Foot Shank (right) Set Screw
247582	15065	Presser Foot Spring
202737	15065	" " " Collar with 200380C
200380C	15055	Presser Foot Spring Collar Set Screw
229711	14214	Presser Foot (hinged) (narrow) complete, Nos. 229685, 229775 and 229776
247651	15064	Presser Foot Vibrating Cam
247570	15065	Take-up Lever
202399	15065	" " Driving Stud with 202277
202277	---	Take-up Lever Driving Stud Oil Packing (wick)
202400	15065	Take-up Lever Hinge Stud with 202423
202423	---	Take-up Lever Hinge Stud Oil Packing (wick)
200352C	15065	Take-up Lever Hinge Stud Set Screw
202401	---	Take-up Lever Oiling Felt
200132E	15059	" " " " Screw
234086	15066	Tension Bracket with two each 200397H, 201224B and 236060
234087	---	Tension Bracket complete, Nos. 200174H, 200978H, 201199F, 223703, 223706, 223707, 234086, 236098, two each 13710, 200309E, 204059, 201271, 223704, three 201572H and four 244007
200159H	15066	Tension Bracket Screw
234047	15066	" " " Socket
200355H	15066	" " " " Set Screw
236098	15066	Tension Bracket Thread Guide (double)
200174H	15066	Tension Bracket Thread Guide Screw

From the library of: Diamond Needle Corp

No.	Plate	Name
244007	15066	Tension Disc
236060	15066	" " Position Pin
223703	15066	" Release Lever
247571	15066	" " " Rod
247572	15066	" " " Extension
200309E	15066	" " " Screw
223704	15066	" " Plunger
204271	15066	" " Washer
13710	15066	" Spring
201224B	15066	" Stud
201572H	10881	" Thumb Nut
223706	15066	Thread Controller Disc
200978H	15066	" " " Screw
223707	15066	" " Spring
242117	15067	" " " Stop
200132E	15059	" " " Screw ..
201199F	15067	" " Stud with 204925 ..
201572H	10881	" " " Thumb Nut ..
200061C	15067	" " " Set Screw
204925	15067	" " " Washer
224028	15067	" Guide
210954	15067	" "
200582H	15067	" " Screw
204059	---	Thread Retainer complete, Nos. 202091, 202092 and 204058
202091	15067	Thread Retainer Sleeve
202092	15067	" " Spring
204058	15067	" " Stud
200397H	15065	" " " Set Screw
247594	15071	Throat Plate with 247595 and two 200587D
200161D	15071	Throat Plate Clamping Screw
247595	15071	" " Needle Guard
200587D	15071	" " " " Screw..
203376	15071	" " Position Pin
200577H	15071	" " Screw
236051	15064	Vertical Shaft
235857	15055	" " Bevel Gear (lower) with 200374c and 200396c
236053	15067	Vertical Shaft Bevel Gear (upper) with 200374c and 200396c
200396c	15055	Vertical Shaft Bevel Gear Position Screw
200374c	15055	Vertical Shaft Bevel Gear Set Screw
236054	15064	" " Bushing (lower)
247573	15067	" " " (upper)
247574	15067	" " " " Oil Tube (brass)

No.	Plate	Name
247575	15067	Vertical Shaft Bushing (lower) Oil Tube (brass)
200346c	15055	Vertical Shaft Bushing Set Screw (2)
247576	15067	Vertical Shaft Driving Bevel Gear with 200378c and 200396c
200378c	15057	Vertical Shaft Driving Bevel Gear Set Screw
200396c	15055	Vertical Shaft Driving Bevel Gear Position Screw

LIST OF PARTS COMPLETE
FOR
MACHINE No. 119w5
HIGH SPEED HEMSTITCH

For Wide Hemstitching in Fine Grade of Fabrics, such as
 Georgette and Crepe Shire Waists, etc., with
 $\frac{3}{8}$ in. Openings. Has Forward Speed

No.	Plate	Name
*247501	-----	Arm with 202135 and four 247579..
204235	15051	" Position Pin (2)
200010E	15051	" Screw (3)
202005	15051	" " Washer (3)
247502	15052	" Shaft with 200357E and 203100
237748	15053	" " Bushing (back) with 202299
202299	-----	Arm Shaft Bushing (back) Oil Packing (wick)
200071E	15051	Arm Shaft Bushing (back) Screw (3)
207080	15053	Arm Shaft Bushing (front) with 202244
202244	-----	Arm Shaft Bushing (front) Oil Packing (wick)
200502B	15051	Arm Shaft Bushing (front) Oil Packing Thumb Screw
200338c	15051	Arm Shaft Bushing (front) Set Screw
203100	-----	Arm Shaft Oil Packing (wick) ...
200357E	15051	" " " " Stop Screw..
235505	15053	" Side Cover
732D	15051	" " " Screw
234744	15051	Auxiliary Piercer
234714	15051	" " Holder with 200117F and 200389c
200117F	15051	Auxiliary Piercer Holder Screw ...
350239c	15051	" " " " Stud
201537H	15051	" " " " Nut
213239	15051	" " " " " " Washer
225604	15051	Auxiliary Piercer Holder Stud Washer
200389c	15051	Auxiliary Piercer Set Screw

No.	Plate	Name
223842	15052	Balance Wheel (belt groove $2\frac{3}{8}$ in. diam.) with 200328c and 200335c
200062B	15051	Balance Wheel Adjusting Screw ..
200328c	15051	" " Position Screw
200335c	15051	" " Set Screw
*247503	-----	Bed with 203376
247504	15056	" Slide (back)
223811	15051	" " " Stop
223812	15051	" " " " Spring
224014	15056	" " (front)
203208	15054	Bobbin (2)
235769	15054	" Case Base with 202056, 203211 to 203213 and 203216
203211	15054	Bobbin Case Base Latch
*202056	-----	" " " " Pin
203212	15054	" " " " Plunger ..
203213	15054	" " " " Spring ...
235770	15054	" " Cap with 200594c, 200984c and 235771
236078	15054	Bobbin Case Lever
*203476	-----	" " " Eccentric
204243	15054	" " " " Position Pin
235751	15054	Bobbin Case Lever Fulcrum
200066D	15054	" " " " Screw ..
203478	15054	" " " " Stud ...
235771	15054	" " Tension Spring
200984c	15054	" " " " Regulat- ing Screw
200594c	15054	Bobbin Case Tension Spring Screw
203216	-----	" " Washer (cloth)
235772	15054	Bobbin Case complete, Nos. 235769 and 235770
247505	15053	Face Plate
202135	15055	" " Position Pin
200462B	15069	" " Thumb Screw
235697	15055	Feed Bar with 201535E, 204189 and 350219E
200641c	15057	Feed Bar Hinge Screw
201522E	15057	" " " " Nut
202276	15057	" " Slide Block
200205F	15051	" " " " Hinge Screw
201518E	15051	" " " " " " Nut
204443	15062	Feed Bar Spring
203060	15062	" " " Hook
204189	15055	" " " "
247692	-----	" Dog
200106E	15051	" " Screw (2)
350219E	15051	" " Support Screw

No.	Plate	Name
201535E	15051	Feed Dog Support Screw Nut
247677	15056	" Driving Cam with two 200347c
200347c	15051	" " " Set Screw
247507	15056	" " Connection
235513	15051	" " " Bearing
202298	15051	" " " Crank with 200038c
200038c	15051	Feed Driving Connection Crank Pinch Screw
201306c	15051	Feed Driving Connection Hinge Screw
201518E	15051	Feed Driving Connection Hinge Screw Nut
247508	15056	Feed Driving Rock Shaft
247509	—	" " " " 247508 with 200641c, 201522E and 235697
235619	15051	Feed Driving Rock Shaft Center (2)
200043c	15051	" " " " " Set Screw (2)
247586	15056	Feed Driving Segment Lever with 201311c, 201531c, 201871, 235637 and 247511
235637	15055	Feed Driving Segment Lever Pin . .
201871	15055	" " " " Roller
201311c	15055	" " " " " " Screw Stud
201531E	15055	Feed Driving Segment Lever Roller Screw Stud Nut
247511	—	Feed Driving Segment Lever Shaft
247512	15055	" " " " " " Bushing (left)
247513	15055	Feed Driving Segment Lever Shaft Bushing (right)
200346c	15055	Feed Driving Segment Lever Shaft Bushing Set Screw (2)
247593	15055	Feed Driving Segment Lever Shaft Collar with 200119F
200119F	15055	Feed Driving Segment Lever Shaft Collar Set Screw
247678	15058	Feed Lifting Cam and Gear, 54 teeth
200540D	15055	" " " " " Cap Screw
222521	15055	Feed Lifting Cam and Gear Cap Screw Washer
247515	15058	Feed Lifting Cam and Gear Driving Pinion, 18 teeth, with two 200388c
200388c	15055	Feed Lifting Cam and Gear Driving Pinion Set Screw

No.	Plate	Name
247516	15058	Feed Lifting Cam and Gear Shaft (hollow) with 204110 and two 204111
204110	—	Feed Lifting Cam and Gear Shaft Oiling Leather
204111	—	Feed Lifting Cam and Gear Shaft Oiling Leather Pin (leather) . . .
200363c	15055	Feed Lifting Cam and Gear Shaft Set Screw (2)
247517	15058	Feed Lifting Connection
202298	15051	" " " Crank with 200038c
200038c	15051	Feed Lifting Connection Crank Pinch Screw
201306c	15051	Feed Lifting Connection Hinge Screw (2)
201518E	15051	Feed Lifting Connection Hinge Screw Nut (2)
247518	15058	Feed Lifting Lever
201871	15055	" " " Roller
201097c	15055	" " " " Screw Stud
201530E	15055	" " " " " " Nut
247519	15052	Feed Lifting Rock Shaft
235619	15051	" " " " Center (2)
200043c	15051	" " " " " Set Screw (2)
201309E	15055	Feed Regulating Screw Slide
201652E	15055	" " " " Nut . .
235524	15057	" " " " Washer
*203511	—	Hook (sewing)
247520	15055	" 203511 with 224100 and two 201253F
247521	—	Hook and Bobbin Case complete, Nos. 235772 and 247520
236086	15055	Hook Driving Gear with 200383c and 200398c
247522	15052	Hook Driving Gear Guard
200034c	15055	" " " " Screw (2)
200398c	15055	" " " Position Screw
200383c	15055	" " " Set Screw . . .
247523	15052	" " Shaft
235857	15055	" " " Bevel Gear with 200374c and 200396c
*235858	—	Hook Driving Shaft Bevel Gear Guard Section (back)
*235859	—	Hook Driving Shaft Bevel Gear Guard Section (front)
201405E	15055	Hook Driving Shaft Bevel Gear Guard Screw

No.	Plate	Name
235860	15056	Hook Driving Shaft Bevel Gear Guard complete, Nos. 201405r, 235858 and 235859
200396c	15055	Hook Driving Shaft Bevel Gear Position Screw
200374c	15055	Hook Driving Shaft Bevel Gear Set Screw
247524	15058	Hook Driving Shaft Bushing (back)
247578	15058	" " " " (center or front) (2)
200346c	15055	Hook Driving Shaft Bushing Set Screw (3)
221743	15055	Hook Driving Shaft Collar with two 200380c
200380c	15055	Hook Driving Shaft Collar Set Screw
224100	15057	Hook Gib
201253F	15057	" " Screw
247525	15058	" Saddle (left or right)
200034c	15055	" " Screw (4)
235865	15057	" " " Washer (4)
247526	---	Hook Saddle (left or right) complete, Nos. 200056d, 200555u, 203478, 235751, 235866, 236078, 236088, 247521, 247525 and 247527 (2)
235866	15057	Hook Socket
236088	15055	" " Gear (spiral) with 200378c and 200383c
200378c	15057	Hook Socket Gear Position Screw ..
200383c	15055	" " " Set Screw
200555u	15057	" " Screw (2)
247527	15057	" Washer with 203476 and two 204243
247663	---	Knee Lifter Bell Crank
247664	---	" " " " Bracket
247665	15058	" " " " " 247664 with 5601 and 247663
178F	15057	Knee Lifter Bell Crank Bracket Screw (2)
5601	15057	Knee Lifter Bell Crank Hinge Pin
5735	15057	" " " " Spring
247528	15052	" " Lifting Lever
247529	15052	" " " " Connecting Rod with 202302
202302	15057	Knee Lifter Lifting Lever Connecting Rod Cotter Pin
12416	15057	Knee Lifter Lifting Lever Connecting Rod Joint

No.	Plate	Name
359242u	15057	Knee Lifter Lifting Lever Connecting Rod Joint Hinge Screw
201520u	15057	Knee Lifter Lifting Lever Connecting Rod Joint Hinge Screw Nut ..
1521E	15057	Knee Lifter Lifting Lever Connecting Rod Lock Nut
206628	15057	Knee Lifter Lifting Lever Connecting Rod Spring
227625	15057	Knee Lifter Lifting Lever Connecting Rod Spring Collar with 200113F
200113F	15055	Knee Lifter Lifting Lever Connecting Rod Spring Collar Set Screw
200262u	15057	Knee Lifter Lifting Lever Hinge Screw
247531	15059	Needle Bar
247532	15059	" " Bushing (lower)
247533	15059	" " " (upper)
200338c	15051	" " " Set Screw (2) ..
202552	15059	" " Connecting Link
202333	15059	" " " Stud with 202254
202254	---	Needle Bar Connecting Link Stud Oil Packing (wick)
200374c	15055	Needle Bar Connecting Link Stud Set Screw
200383c	15055	Needle Bar Connecting Link Stud Set Screw
247534	15059	Needle Bar Connecting Stud with 200072c and 222598
222598	---	Needle Bar Connecting Stud Oil Packing (wick)
200072c	15059	Needle Bar Connecting Stud Pinch Screw
201992	15059	Needle Bar Connecting Stud Roller
247535	15058	" " Crank with 200335c, 200374c, 200383c, 200428c and 202333
203172	15059	Needle Bar Crank Friction Washer
200428c	15059	" " " Position Screw ..
200335c	15051	" " " Set Screw
213256	15059	" " Thread Guide
200130F	15059	" Clamping Screw
247583	15059	" Holder (left) with two 200130F
247584	15059	Needle Holder (right) with two 200130F
247676	15061	Needle Holder Bracket with 201030F

No.	Plate	Name
247687	—	Needle Holder Bracket 247676 with 213239, 213256, 234766, 247583, 247584, 350239c, two each 200172n, 201183r, 350240c, three each 201537n and 225604
201030r	15059	Needle Holder Bracket Screw
201183r	15059	" " Cap Screw
350240c	15061	" " Hinge Stud
201537n	15051	" " " " Nut
225604	15051	" " " " Washer
234766	15061	" " Thread Guide
200172n	15059	" " " " Screw
247541	15061	" Vibrating Bell Crank (left) ..
247542	15061	" " " " (right) ..
210932	15061	" " " " Hinge Stud with 210933
210933	—	Needle Vibrating Bell Crank Hinge Stud Oil Packing (wick)
200347c	15051	Needle Vibrating Bell Crank Hinge Stud Set Screw
247543	15061	Needle Vibrating Bell Crank Link (2)
247679	15060	Needle Vibrating Cam with two 200382c
200382c	15061	Needle Vibrating Cam Set Screw ..
247682	15060	" " " " Spacing Washer
247545	15061	Needle Vibrating Connection Rod (2)
200130r	15059	Needle Vibrating Connection Rod Clamping Screw
247577	15061	Needle Vibrating Connection Rod Swivel (2)
247546	15061	Needle Vibrating Crank (right) with 200072c
247547	15061	Needle Vibrating Crank (left) with 200072c
200072c	15059	Needle Vibrating Crank Pinch Screw
247590	15060	Needle Vibrating Lever with 201141c and 201888
247549	15060	Needle Vibrating Lever Pitman (long)
247591	15060	Needle Vibrating Lever Pitman (short)
247550	15062	Needle Vibrating Lever Pitman Connection (2)
200064r	15062	Needle Vibrating Lever Pitman Connection Screw (2)

No.	Plate	Name
247551	15060	Needle Vibrating Lever Pitman Guard with 200347c and 200363c ..
200347c	15051	Needle Vibrating Lever Pitman Guard Adjusting Screw
200363c	15055	Needle Vibrating Lever Pitman Guard Set Screw
247552	15062	Needle Vibrating Lever Pitman Swivel with 200110p (4)
200110p	15062	Needle Vibrating Lever Pitman Set Screw
201888	15062	Needle Vibrating Lever Roller
201141c	15062	" " " " Screw Stud
247568	15060	Needle Vibrating Lever Shaft
247569	15062	" " " " Bushing (back)
235601	15062	Needle Vibrating Lever Shaft Bushing (front)
247593	15055	Needle Vibrating Lever Shaft Collar with 200119r (3)
200119r	15055	Needle Vibrating Lever Shaft Collar Set Screw
206064	—	Needle Vibrating Lever Spring
203060	15062	" " " " Hook (2)
247553	15062	Needle Vibrating Rock Shaft (left)
247554	—	" " " " 247553 with 232343 and 247558 ..
247555	15062	Needle Vibrating Rock Shaft (right)
247557	—	" " " " 247555 with 232343, 247556 and 247558
247579	15062	Needle Vibrating Rock Shaft Bush- ing (4)
247556	15062	Needle Vibrating Rock Shaft (right) Collar
247558	15062	Needle Vibrating Rock Shaft Crank (left or right)
232343	15062	Needle Vibrating Rock Shaft Crank Position Pin
234773	15061	Piercer
247559	15060	" Bar
247560	—	" " 247559 with 221481 and 247561
247561	15062	Piercer Bar Bushing (lower)
221481	15062	" " " (upper)
200342c	15062	" " " Set Screw (2) ..
213248	15062	" " Driving Cam with two 200362c

No.	Plate	Name
247592	15062	Piercer Bar Driving Cam Connection with 200057r and 200066d ..
247563	15063	Piercer Bar Driving Cam Connection Crank with 200070c
350274c	15063	Piercer Bar Driving Cam Connection Crank Hinge Screw
201520h	15057	Piercer Bar Driving Cam Connection Crank Hinge Screw Nut
200070c	15063	Piercer Bar Driving Cam Connection Crank Pinch Screw
200057h	15063	Piercer Bar Driving Cam Connection Pinch Screw
200066d	15054	Piercer Bar Driving Cam Connection Pinch Screw
213740	15063	Piercer Bar Driving Cam Retaining Washer
200128e	15063	Piercer Bar Driving Cam Retaining Washer Screw
200362c	15063	Piercer Bar Driving Cam Set Screw
213249	15063	Piercer Bar Lifting Bracket with two 201052c
201052c	15063	Piercer Bar Lifting Bracket Set Screw
213804	15060	Piercer Bar Lifting Rock Shaft
215720	15063	" " " " " Bushing (2)
200043c	15051	Piercer Bar Lifting Rock Shaft Bushing Set Screw (2)
201524e	15063	Piercer Bar Lifting Rock Shaft Bushing Set Screw Nut (2)
204197	15063	Piercer Bar Lifting Rock Shaft Collar with 200113e
200113e	15055	Piercer Bar Lifting Rock Shaft Collar Set Screw
213255	15064	Piercer Bar Lifting Rock Shaft Crank with 201812, 205532 and 213804
214004	—	Piercer Bar Lifting Rock Shaft Crank 213255 with 213249
205532	15063	Piercer Bar Lifting Rock Shaft Crank Position Pin
201812	15063	Piercer Bar Lifting Rock Shaft Crank Roller and Stud
213253	15063	Piercer Holder with 200117e
200076d	15063	" " Screw
200117e	15051	" Set Screw
213791	15064	Presser Bar
224391	15063	" " Bushing
200398c	15055	" " " Set Screw
247564	15063	" " Lifter

No.	Plate	Name
247565	15063	Presser Bar Lifting Lever with 200378c
200378c	15057	Presser Bar Lifting Lever Set Screw
241004	15063	Presser Bar Lifting Releasing Lever Bracket
200260e	15063	Presser Bar Lifting Releasing Lever Bracket Guide Screw
206608	15063	Presser Bar Lifting Releasing Lever Bracket Spring
233634	15065	Presser Bar Position Guide
202338	15065	" " " " Lever with 200086e
200086e	15065	Presser Bar Position Guide Lever Pinch Screw
200352c	15065	Presser Bar Position Guide Set Screw
247567	15065	Presser Bar Sleeve
247580	15065	" " Spring
234044	15065	" " " Stop Rod
200492b	15065	" " Thumb Screw (pressure regulating)
200475b	15065	Presser Bar Thumb Screw Thumb Set Screw
202355	15065	Presser Bar Thumb Screw Thumb Set Screw Packing (brass) (2) ..
200436e	15065	Presser Foot Adjusting Screw
200086e	15065	" " " " Clamp Screw
221479	15065	Presser Foot Hinge Pin
229685	15065	" " " Stud
200397h	15065	" " " " Set Screw
234757	—	" " Plate (left)
234770	—	" " (right)
234759	—	" " Shank (left) with 200086e, 200397h and 200436e ...
234760	13426	Presser Foot Shank 234759 with 221479 and 234757
234761	—	Presser Foot Shank (right) with 200086e
234771	13426	Presser Foot Shank 234761 with 221479 and 234770
200086e	15065	Presser Foot Shank (right) Set Screw
247582	15065	Presser Foot Spring
202737	15065	" " " Collar with 200380c
200380c	15055	Presser Foot Spring Collar Set Screw

No.	Plate	Name
234772	13426	Presser Foot (hinged) complete, Nos. 229685, 234760 and 234771..
247570	15065	Take-up Lever
202399	15065	" " Driving Stud with 202277
202277	—	Take-up Lever Driving Stud Oil Packing (wick)
202400	15065	Take-up Lever Hinge Stud with 202423
202423	—	Take-up Lever Hinge Stud Oil Packing (wick)
200352c	15065	Take-up Lever Hinge Stud Set Screw
202401	—	Take-up Lever Oiling Felt
200132E	15059	" " " " Screw
234086	15066	Tension Bracket with two each 200397H, 201224B and 236060 ...
234087	—	Tension Bracket complete, Nos. 200174H, 200978H, 201199F, 223703, 223706, 223707, 234086, 236098, two each 13710, 200309E, 204059, 204271, 223704, three 201572B and four 244007
200159H	15066	Tension Bracket Screw
234047	15066	" " " Socket
200355H	15066	" " " " Set Screw
236098	15066	Tension Bracket Thread Guide (double)
200174H	15066	Tension Bracket Thread Guide Screw
244007	15066	Tension Disc
236060	15066	" " Position Pin
223703	15066	" Release Lever
247571	15066	" " " Rod
247572	15066	" " " " Extension
200309E	15066	" " " Screw
223704	15066	" " Plunger
204271	15066	" " Washer
13710	15066	" Spring
201224B	15066	" Stud
201572	10881	" Thumb Nut
223706	15066	Thread Controller Disc
200978H	15066	" " " Screw
223707	15066	" " Spring
242117	15067	" " " Stop
200132E	15059	" " " " Screw
201199F	15067	" " Stud with 204925
201572B	10881	" " " Thumb Nut
200061c	15067	" " " Set Screw

No.	Plate	Name
204925	15067	Thread Controller Stud Washer ...
224028	15067	" Guide
210954	15067	" "
200582H	15067	" " Screw
204059	—	Thread Retainer complete, Nos. 202091, 202092 and 204058
202091	15067	Thread Retainer Sleeve
202092	15067	" " Spring
204058	15067	" " Stud
200397H	15065	" " " Set Screw
247693	—	Throat Plate with 200587D and 247694
200161D	15071	Throat Plate Clamping Screw
247694	—	" " Needle Guard
200587D	15071	" " " " Screw
203376	15071	" " Position Pin
200577H	15071	" " Screw
236051	15064	Vertical Shaft
235857	15055	" " Bevel Gear (lower) with 200374c and 200396c
236053	15067	Vertical Shaft Bevel Gear (upper) with 200374c and 200396c
200396c	15055	Vertical Shaft Bevel Gear Position Screw
200374c	15055	Vertical Shaft Bevel Gear Set Screw
236054	15064	Vertical Shaft Bushing (lower) ...
247573	15067	" " " (upper)
247574	15067	" " " " Oil Tube (brass)
247575	15067	Vertical Shaft Bushing (lower) Oil Tube (brass)
200346c	15055	Vertical Shaft Bushing Set Screw (2)
247576	15067	Vertical Shaft Driving Bevel Gear with 200378c and 200396c
200378c	15057	Vertical Shaft Driving Bevel Gear Set Screw
200396c	15055	Vertical Shaft Driving Bevel Gear Position Screw

ACCESSORIES

FOR MACHINE No. 119w1

No.	Plate	Name
234739	15051	Auxiliary Piercer
203208	15054	Bobbin (10)
*225482	—	" Case Screw Driver Blade ...
*225483	—	" " " " Handle ..
225497	14383	Bobbin Case Screw Driver complete, Nos. 225482 and 225483 ...
213825	15062	Piercer
213826	15062	"
225486	15068	Wrench
234702	15068	Tweezers
130x19	—	Needles, twelve, size 14
228235	—	Drip Pan with four 1 in. wire nails
12361	15068	Machine Hinge Connection (2) ...
41400	14383	Machine Rest Pin (wood)
120342	14383	Oiler (copper plated) with 120343..
120343	14383	" Spout, 3½ in. long
*225484	—	Screw Driver Blade
*225485	—	" " Handle
225498	14383	Screw Driver complete (7¼ in. long), Nos. 225484 and 225485 ...
225554	14383	Wrench
10875	15068	"

BOBBIN WINDER

225453	10884	Frame with 202277 and 225438
225454	10884	" Hinge Pin
202277	—	" Oil Packing (wick)
225438	10884	" " Well Cap
225455	10884	" Spring
225456	10884	" " Plunger
202473	10885	Pulley with 200380c
200380c	15055	" Set Screw
225381	10884	Spindle
225444	10884	Stop Latch
200056E	10884	" " Screw
225458	10884	" " Thumb Lever
225459	10884	" " " " Hinge Stud
225459	10884	" " " " Joint Stud
202478	10884	" " Trip Lever
200299H	10884	" " " " Hinge Screw

No.	Plate	Name
225461	10881	Tension Bracket with 201499B
200082D	10881	" " Screw
228026	10884	" " " Washer
2102	10881	" Disc
202407	10881	" Spring
201499B	10881	" Stud
201572R	10881	" " Thumb Nut
225462	10881	Bobbin Winder Tension Bracket complete, Nos. 201572R, 202497, 225461 and two 2102
225433	10885	Bobbin Winder and Tension Bracket Base
225382	10885	Universal Bobbin Winder complete, Nos. 200056E, 200082D, 200299H, 202473, 202478, 225381, 225433, 225444, 225453 to 225456, 225458, 225462, 228026, two each 225459 and wood screws ¾ in., No. 12, R.I.L.B.

KNEE LIFTER

2763	15052	Rock Shaft
7539	15052	" " Hanger with two wood screws 1 in., No. 10
2765	15052	Rock Shaft Knee Arm
2768	—	" " " " 2765 with 2766 and 2767
2766	15052	Rock Shaft Knee Arm Hub with 356c
356c	15069	Rock Shaft Knee Arm Hub Set Screw
2767	15052	Rock Shaft Knee Plate with 356c..
356c	15069	" " " " Set Screw
6337	15052	" " Lifting Bracket with two 356c
2778	15052	Rock Shaft Lifting Bracket Hook
356c	15069	" " " " " " Set Screw
356c	15069	Rock Shaft Lifting Bracket Set Screw
2770	15052	Rock Shaft Stop Dog with 356c ...
356c	15069	" " " " Set Screw ..
12250	15052	Knee Lifter Rock Shaft complete, Nos. 2763, 2768, 2778, 6337, two each 2770 and 7539

THREAD UNWINDER

No.	Plate	Name
225389	14083	Spool Rest (for one spool) with 201018c
225395	14083	Spool Rest (for two spools) with 201018c
225388	14083	Spool Rest Rod
200383c	15055	" " " Set Screw
201018c	15069	" " " Set Screw
202490	14083	" Stand with 200383c
225391	14083	Thread Guide
201696J	15069	" " Lock Nut
225392	14083	" " Rod with 208E and 225393
208E	15069	Thread Guide Rod Screw
225393	15069	" " " Washer
225397	14083	Thread Unwinder (for three spools) complete, Nos. 201696J, 202490, 225388, 225389, 225392, 225395, three each 225391 and wood screws $\frac{3}{4}$ in., No. 12

FOR MACHINE No. 119w5

Same as for No. 119w1 with the following exceptions:

234744	15051	Auxiliary Piercer, in place of 234739
234773	15062	Piercer, in place of 213825
130x27	—	Needles, twelve, size 16, in place of 130x19
		(213826 Piercer not used)

Parts used in connection with but not included
in Thread Unwinder 225397

60913	14083	Spool Weight with 60914
60914	—	" " Center Pin
225377	14083	" Wire, for small spools
27739	—	Thread Cone (wood)

PRESSER FEET

FOR MACHINE No. 119w1

No.	Plate	Name
200436F	15065	Presser Foot Adjusting Screw
200086F	15065	" " " " Clamp Screw
221479	15065	Presser Foot Hinge Pin
229685	15065	" " " Stud
200397H	15065	" " " " Set Screw
229706	15071	" " Plate (left)
229707	15071	" " " (right)
206653	14214	" " Shank (left) with 200086F, 200397H and 200436F ...
229775	14214	Presser Foot Shank 206653 with 221479 and 229706
229796	—	Presser Foot Shank (right) with 200086F
229776	14214	Presser Foot Shank 229796 with 221479 and 229707
200086F	15065	Presser Foot Shank (right) Set Screw
229711	14214	Presser Foot (hinged) (narrow) complete, Nos. 229685, 229775 and 229776
200436F	15065	Presser Foot Adjusting Screw
200086F	15065	" " " " Clamp Screw
221479	15065	Presser Foot Hinge Pin
229685	15065	" " " Stud
200397H	15065	" " " " Set Screw
229706	15071	" " Plate (left)
229835	—	" " " (right)
229672	—	" " Shank (left) with 200086F, 200397H and 200436F ..
229772	—	Presser Foot Shank 229672 with 221479 and 229706
229796	—	Presser Foot Shank (right) with 200086F
229836	—	Presser Foot Shank 229796 with 221479 and 229835
200086F	15065	Presser Foot Shank (right) Set Screw
229837	15071	Presser Foot (hinged) complete, Nos. 229685, 229772 and 229836 ..

BALANCE WHEELS

No.	Plate	Name
247587	15052	Balance Wheel, 5 in. diam., with 200328c and 200335c
247589	15052	Balance Wheel (heavy), 5½ in. diam. (belt groove 2¾ in. diam.), with 200328c and 200335c
200013r	15069	Balance Wheel Adjusting Screw ..
200328c	15051	" " Position Screw
204170	15052	" " Pulley (loose), 2¼ in. diameter
204341	15069	Balance Wheel Pulley Spring Washer
200335c	15051	Balance Wheel Set Screw
201569b	15069	" " Thumb Nut
202016	15069	" " " " Stop Washer
247588	—	Balance Wheel (belt groove 2¾ in. diam.) complete, Nos. 201569b, 202016, 204170, 204341 and 247587

CORD HOLDER

247581	15064	Cord Holder
200996c	15069	" " Screw

HEMMERS

No.	Plate	Name
230192	11649	Hemmer on Shank, for hems from ¾ to ½ inch
		Note. State width required on order.

HEMMER (REVERSE)

230190	11649	Hemmer on Shank, for hems from ¾ to ¾ inch
		Note. State width required on order.

HEMMER

(Right Hand)

Folds ¼ in. Hem

230940	14606	Base Plate with 225706
225706	15069	" " Position Pin
200246b	15069	" " Screw
201525E	15069	" " " Nut
225708	15069	" " Spring
230713	11650	Folder on Shank
200187b	15069	" " " Screw
230484	15069	" " " " Washer
230714	11651	Tongue with two 200133b
200133b	15069	" Screw
230711	11652	Hemmer complete, Nos. 200246b, 201525E, 225708, 230484, 230713, 230714, 230940 and two 200187b..

HEMMER

(Right Hand)

Folds ¾ in. Hem

230940	14606	Base Plate with 225706
225706	15069	" " Position Pin
200246b	15069	" " Screw
201525E	15069	" " " Nut
225708	15069	" " Spring
230715	11650	Folder on Shank
200187b	15069	" " " Screw
230484	15069	" " " " Washer

Hemmers

No.	Plate	Name
230716	11651	Tongue with two 200103D
200103D	15069	" Screw
230712	11652	Hemmer complete, Nos. 200246R, 201525E, 225708, 230484, 230715, 230716, 230940 and two 200187B..

HEMMER

(Right Hand) (Small Opening)

Folds Hems from $\frac{3}{8}$, $\frac{1}{2}$ and $\frac{3}{4}$ in. Hems

Note. State width of hem required.

230940	14606	Base Plate with 225706
225706	15069	" " Position Pin
200246R	15069	" " Screw
201525E	15069	" " " Nut
225708	15069	" " Spring
230532	14608	Folder on Shank
200187B	15069	" " " Screw
230484	15069	" " " Washer
230533	14608	Tongue with two 200133R
200133R	15069	" Screw
230535	14609	Hemmer complete, Nos. 200246R, 201525E, 225708, 230484, 230532, 230533, 230940 and two 200187B..

HEMMER

(Right Hand) (Large Opening)

Folds $\frac{3}{8}$, $\frac{1}{2}$ and $\frac{3}{4}$ in. Hems

Note. State width of hem required.

230940	14606	Base Plate
200246R	15069	" " Screw
201525E	15069	" " " Nut
225708	15069	" " Spring
230899	13425	Folder on Shank
200187B	15069	" " " Screw
230484	15069	" " " Washer
230900	13425	Tongue with two 200164R
200164R	15069	" Screw
230901	----	Hemmer complete, Nos. 200246R, 201525E, 225708, 230484, 230899, 230900, 230940 and two 200187B..

Hemmers

HEMMER

(Right Hand)

Folds Hems from $\frac{1}{8}$ to $2\frac{1}{2}$ in., in steps of $\frac{1}{16}$ inch

No.	Plate	Name
230940	14606	Base Plate with 225706
225706	15069	" " Position Pin
200246R	15069	" " Screw
201525E	15069	" " " Nut
225708	15069	" " Spring
230540	11650	Folder on Shank
200187B	15069	" " " Screw
230484	15069	" " " Washer
230539	11651	Tongue with two 200103D
200103D	15069	" Screw
230542	14609	Hemmer complete, Nos. 200246R, 201525E, 225708, 230484, 230539, 230540, 230940 and two 200187B..

HEMMER (REVERSE)

(Right Hand)

Folds Hems from $\frac{1}{2}$ to $2\frac{3}{4}$ in., in steps of $\frac{1}{16}$ inch

Note. State width of hem required.

230756	11651	Base Plate with 225706
225706	15069	" " Position Pin
200246R	15069	" " Screw
201525E	15069	" " " Nut
225708	15069	" " Spring
230537	14608	Folder on Shank
200187B	15069	" " " Screw
230484	15069	" " " Washer
230536	14608	Tongue with two 200103D
200103D	15069	" Screw
230538	11652	Hemmer (reverse) complete, Nos. 200246R, 201525E, 225708, 230484, 230536, 230537, 230756 and two 200187B

HEMMER (ADJUSTABLE)

(Right Hand)

Folds Hems from $\frac{1}{2}$ to $2\frac{1}{4}$ inches

230940	14606	Base Plate with 225706
225706	15069	" " Position Pin
200246R	15069	" " Screw
201525E	15069	" " " Nut
225708	15069	" " Spring

Hemmers

No.	Plate	Name
230519	14606	Bracket (lower) with two 200078D..
200158B	15069	" " Screw
230484	15069	" " Washer
230521	14606	" (upper) with 200462B and two 200160B
200078D	15069	Bracket (upper) Screw
230518	14606	Folder Arm and Guard (left)
200160B	15069	" " " " Screw
230520	14606	" and Arm (right)
200462B	15069	" " " " Adjustable Thumb Screw
226163	15069	Folder and Arm (right) Adjustable Thumb Screw Washer
230523	14606	Tongue (left) with two 200164B ...
200164B	15069	" " Screw
230522	14606	" (right) with two 200164B ...
200164B	15069	" " Screw
230525	14609	Hemmer (adjustable) complete, Nos. 200246B, 201525E, 225708, 226163, 230484, 230518 to 230523, 230940 and two 200158B

HEMMER (REVERSE) (ADJUSTABLE)

(Right Hand)

Folds Hems from $\frac{1}{2}$ to $2\frac{1}{2}$ inches

230529	14607	Base Plate with 225706
225706	15069	" " Position Pin
200246B	15069	" " Screw
201525E	15069	" " " Nut
225708	15069	" " Spring
230528	14607	Folder Arm and Guard (left) with two 200155F
200187B	15069	Folder Arm and Guard (left) Screw
230484	15069	" " " " " " " Washer
230526	14607	Folder and Arm (right) with two 200155F
200469B	15069	Folder and Arm (right) Adjustable Thumb Screw
226163	15069	Folder and Arm (right) Adjustable Thumb Screw Washer
230530	14607	Tongue (left)
230527	14607	" (right)
200155F	15069	" Screw
230531	14609	Hemmer (reverse) (adjustable) complete, Nos. 200246B, 200469B, 201525E, 225708, 226163, 230484, 230526 to 230530 and two 200187B

HEMMER (ADJUSTABLE)

(Left Hand)

Folds Hems from $\frac{1}{2}$ to $2\frac{1}{4}$ inches

No.	Plate	Name
230516	14605	Base Plate with 225706
225706	15069	" " Position Pin
200246B	15069	" " Screw
201525E	15069	" " " Nut
225708	15069	" " Spring
230515	14605	Bracket (lower) with two 200078B
200158B	15069	" " Screw
230484	15069	" " Washer
230514	14605	" (upper) with 200462B and two 200160B
200078B	15069	Bracket (upper) Screw
230510	14605	Folder Arm and Guard (right) ...
200160B	15069	" " " " Screw
230511	14605	" and Arm (left)
200462B	15069	" " " " Adjustable Thumb Screw
226163	15069	Folder and Arm (left) Adjustable Thumb Screw Washer
230512	14605	Tongue (left) with two 200164B ...
200164B	15069	" " Screw
230513	14605	" (right) with two 200164B ...
200164B	15069	" " Screw
230517	14609	Hemmer (adjustable) (left hand) complete, Nos. 200246B, 201525E, 225708, 226163, 230484, 230510 to 230516 and two 200158B

BOX PLAITER

(ADJUSTABLE)

No.	Plate	Name
230001	14526	Base Plate
230002	14526	" " Arm Bracket with two 200344c
200344c	14527	Base Plate Arm Bracket Adjusting Screw
200048B	14527	Base Plate Arm Bracket Screw ..
230003	14526	" " Cloth Guide (left)
230004	14526	" " " " (right)
200169B	14527	" " " " Screw
200048B	14527	" " Screw
230005	14527	Folder Blade (left) (adjustable) ..
230006	14527	" " (right) (adjustable) ..
230007	14526	" " Plate
200344c	14527	" " " Adjusting Screw
200053B	14527	" " " Screw
200169B	14527	" " Screw
230008	14527	Presser Foot
230009	14528	Space Gauge (left)
230010	14528	" " (right)
230011	14528	" " Adjustable Slide (left)
230012	—	" " " " 230011 with 200176B, 200186B, 202603 and 230009
230013	14528	Space Gauge Adjustable Slide (right)
230014	14529	Space Gauge Adjustable Slide 230013 with 200176B, 200186B, 202603 and 230010
200186B	14527	Space Gauge Screw (long)
202603	14527	" " " " Washer
200176B	14527	" " " (short)
200472B	14527	" " Thumb Screw
202603	14527	" " " " Washer..
230015	14529	Box Plaiter (adjustable) complete, Nos. 200472B, 202603, 230001 to 230008, 230012, 230014, two 200053B, four 200169B and five 200048B

LAP SEAM FELLER

(ADJUSTABLE)

For Joining Lace to Cloth or Two Pieces of
Cloth with Double Hemstitch

No.	Plate	Name
230260	14581	Base Plate
200157B	15069	" " Screw
230258	14581	Folder on Shank (left)
230259	14581	" " " (right)
200170B	15069	" Screw
230261	14581	Lap Seam Feller (adjustable) com- plete, Nos. 230258 to 230260 and two 200170B

PICOT EDGE CUTTING DEVICE

No.	Plate	Name
247645	15064	Face Plate
234719	15070	Blade (lower)
350124c	13427	" " Position Screw Stud
201634d	13427	" " " " "
		Thumb Nut
202603	14527	Blade (lower) Position Screw Stud Washer
234720	15070	Blade (upper)
247646	15064	" Arm
247647	15064	" " Bracket with 200036d ..
200036d	15070	" " " Pinch Screw
247648	15064	" " " Support
200029e	15070	" " " " Screw
200064f	15062	" " Screw
234735	15070	" " Shim
234724	15070	" Hinge Stud
200162d	13427	" " " Cap Screw
247649	15064	" Operating Connection
350125f	13427	" " " Hinge Screw (lower)
201319c	13427	Blade Operating Connection Hinge Screw (upper)
234726	15070	Blade Operating Lever
350126c	13427	" " " Screw
201706c	13427	" " " " Nut ..
221486	13427	" Spring
247644	—	Picot Edge Cutting Device com- plete. Nos. 200162d, 201319c, 201634d, 201706c, 202603, 221486, 234719, 234720, 234724, 234726, 247646 to 247649, 350124c, 350125f, 350126c, two each 200029e, 200064f and 234735
200436f	15065	Presser Foot Adjusting Screw
221479	15065	" " Hinge Pin
229685	15065	" " " Stud
200397u	15065	" " " " Set Screw
234729	—	" " Plate (left)
234730	—	" " " (right)
234736	—	" " Shank (left) with 200086f, 200397u and 200436f ...
234731	13427	Presser Foot Shank 234736 with 221479 and 234729

No.	Plate	Name
229796	15071	Presser Foot Shank (right) with 200086f
234732	13427	Presser Foot Shank 229796 with 221479 and 234730
200086f	15065	Presser Foot Shank Set Screw
234733	13427	Presser Foot (hinged) complete, Nos. 229685, 234731 and 234732 ..
247650	—	Picot Edge Cutting Device and Presser Foot complete, Nos. 234733, 247644 and 247645

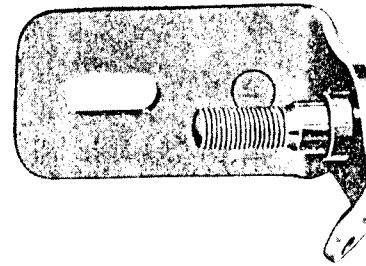
OBSOLETE PARTS

247548	15064	Needle Vibrating Lever with 201141c and 201888
--------	-------	---

**ILLUSTRATIONS OF PARTS
FOR
MACHINES
Nos. 119w1 and 119w5**

PLATE 10881—FULL SIZE

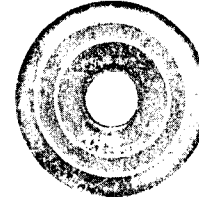
225461



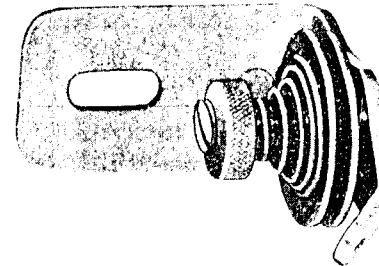
200082 202104



2102



225462



202407



201499



201572



From the library of: Diamond Needle Corp

PLATE 10884—FULL SIZE

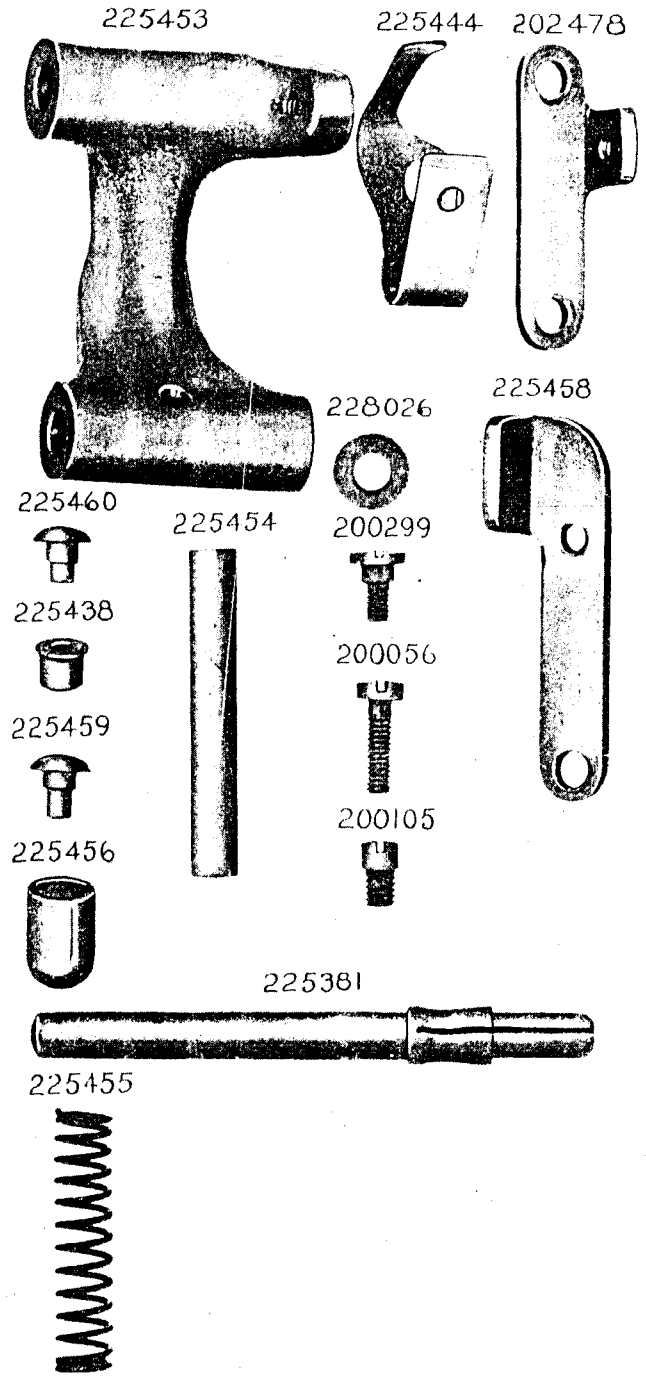
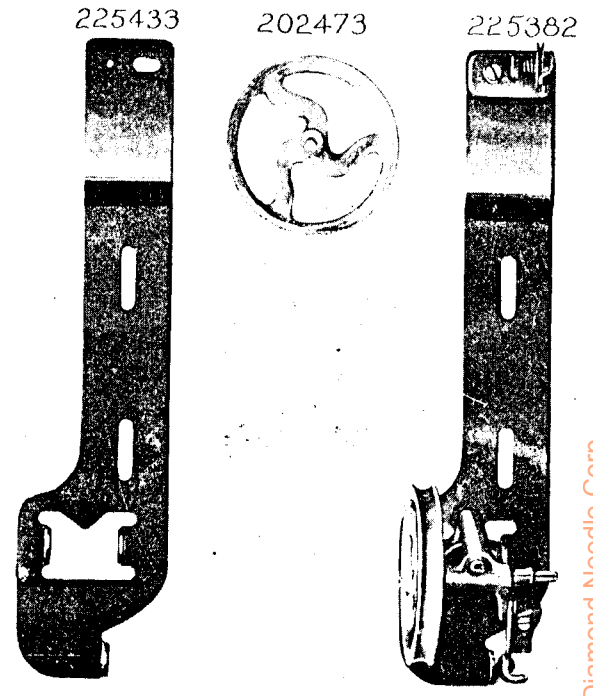


PLATE 10885—ONE-FOURTH SIZE



From the library of: Diamond Needle Corp

PLATE 11649—FULL SIZE

230190



230192

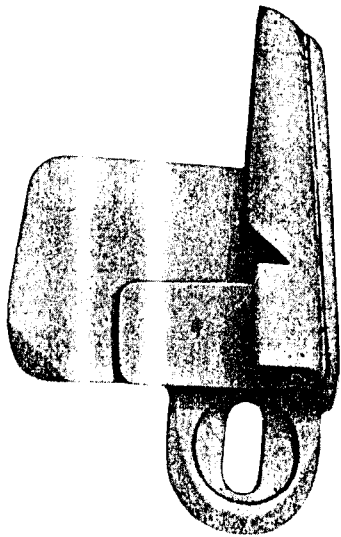
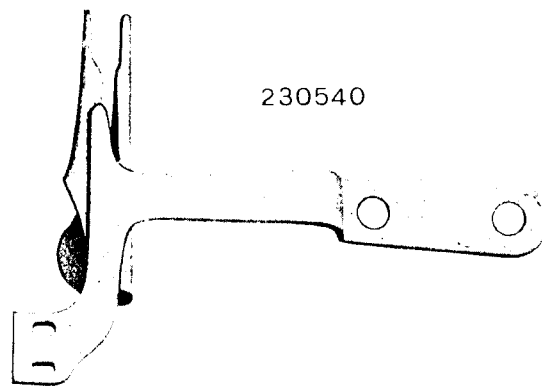
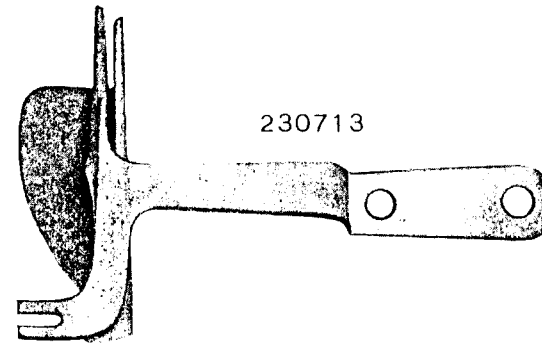


PLATE 11650—ONE-HALF SIZE

230540



230713



230715

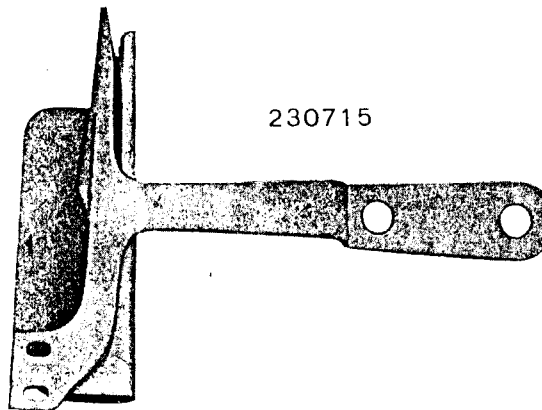


PLATE 11651 ONE-HALF SIZE

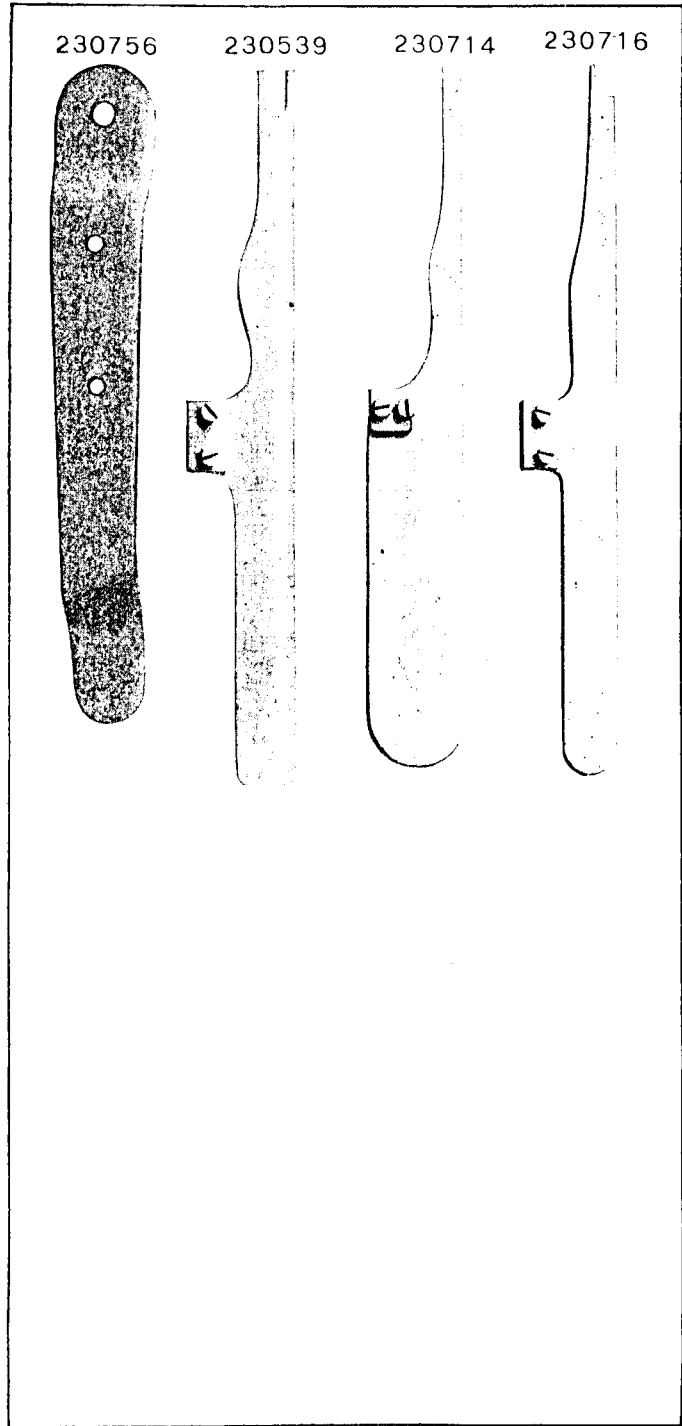
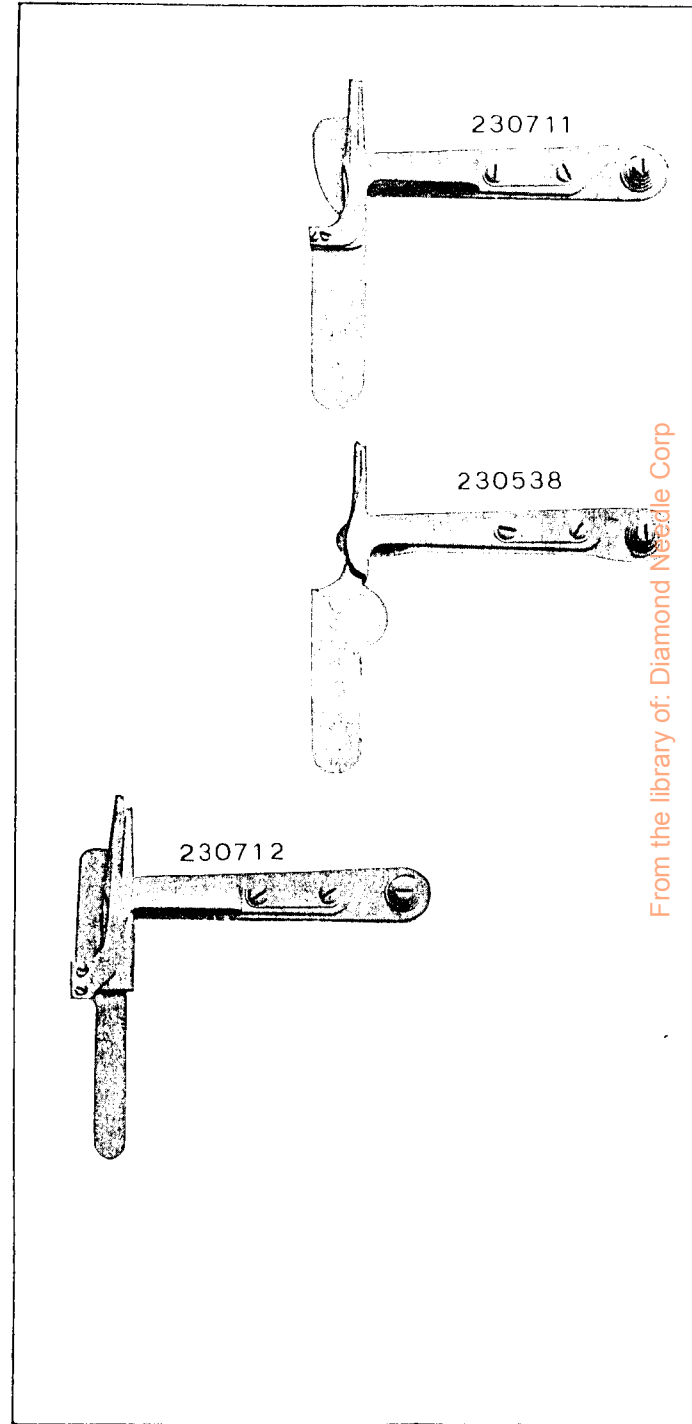


PLATE 11652 ONE-FOURTH SIZE



From the library of: Diamond Needle Corp

PLATE 13425—ONE-HALF SIZE

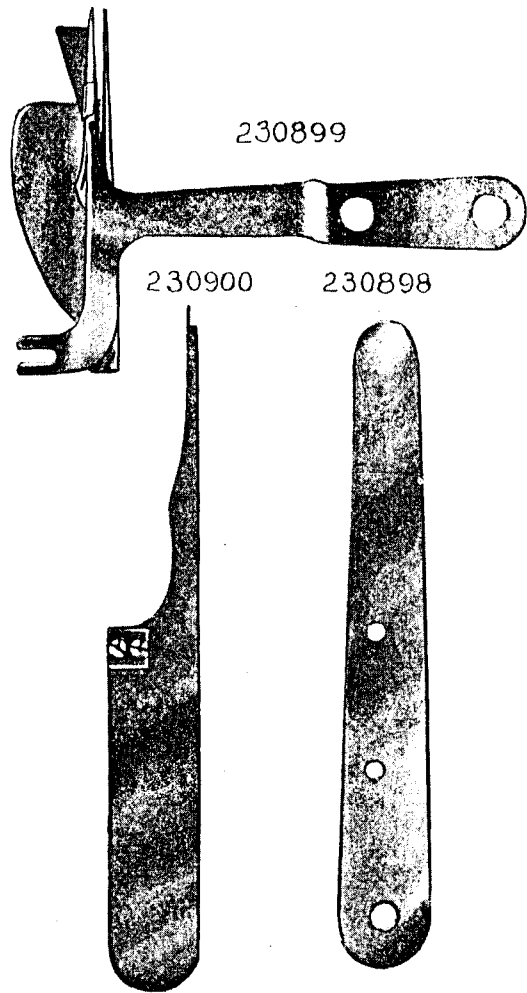
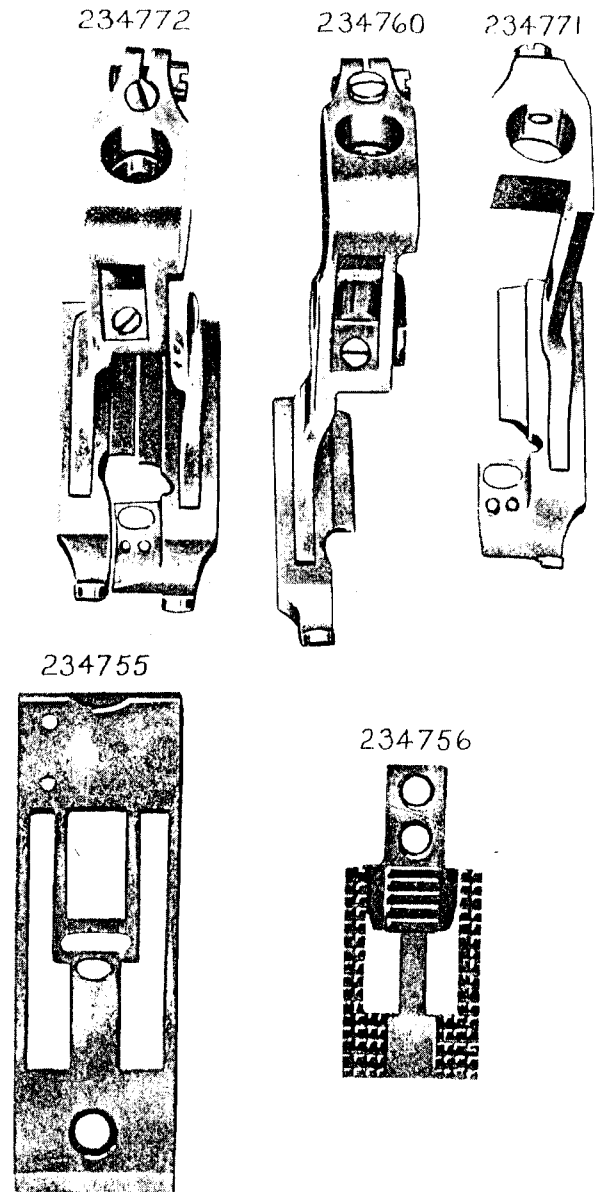


PLATE 13426—FULL SIZE



From the library of: Diamond Needle Corp

PLATE 13427—FULL SIZE

350124



201634



200162



350125



201319



350126



201706



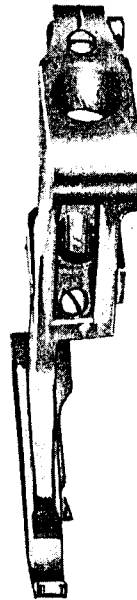
221486



234733



234731

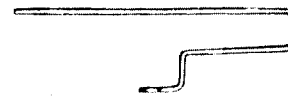


234732



PLATE 14083—ONE-SIXTH SIZE

225377



60913



225397

225391



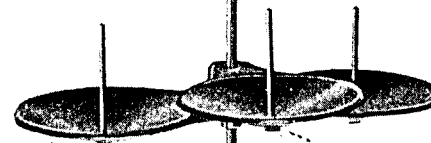
225391

225391

225392

225388

225395



225389

202490



From the library of: Diamond Needle Corp

PLATE 14214—FULL SIZE

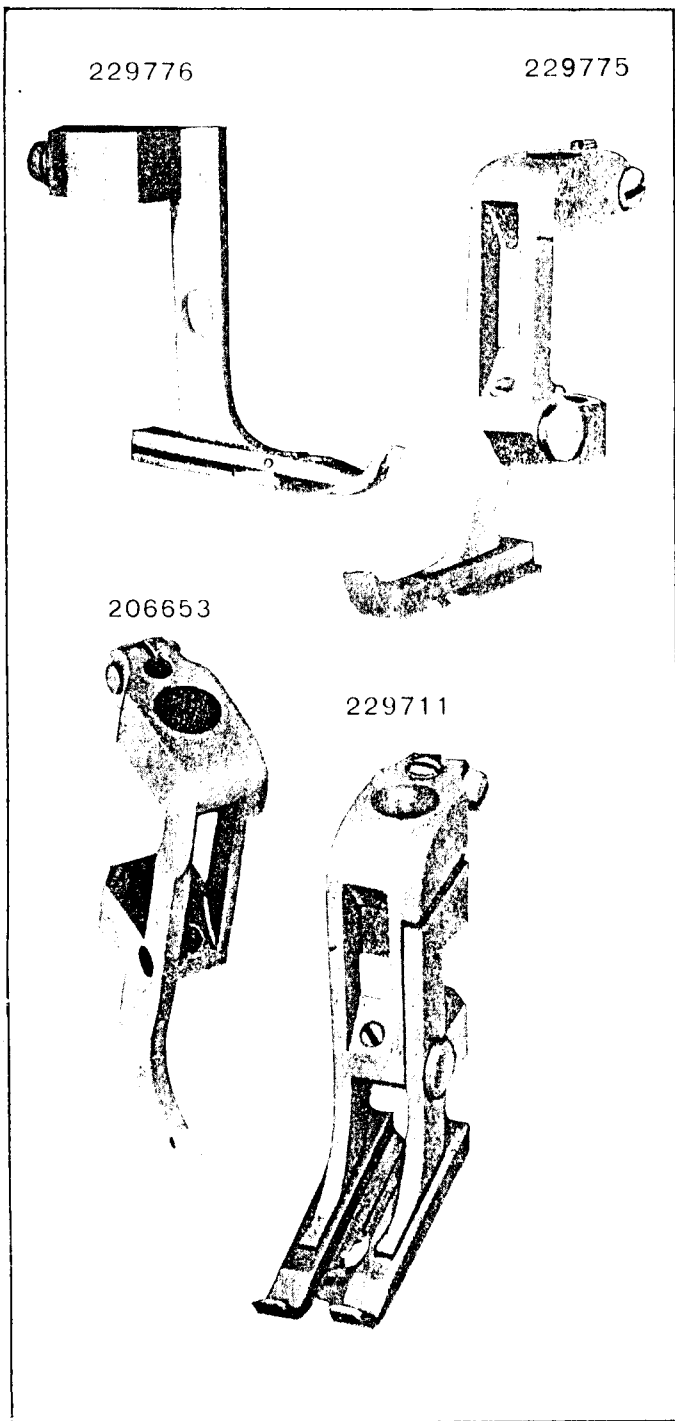


PLATE 14383—ONE-HALF SIZE

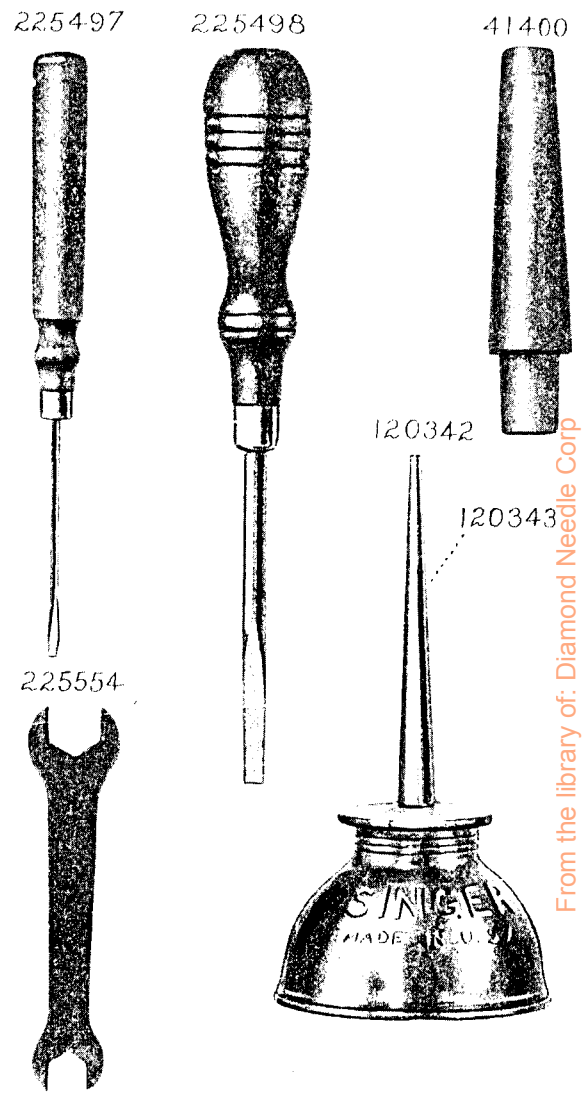


PLATE 14526—ONE-HALF SIZE

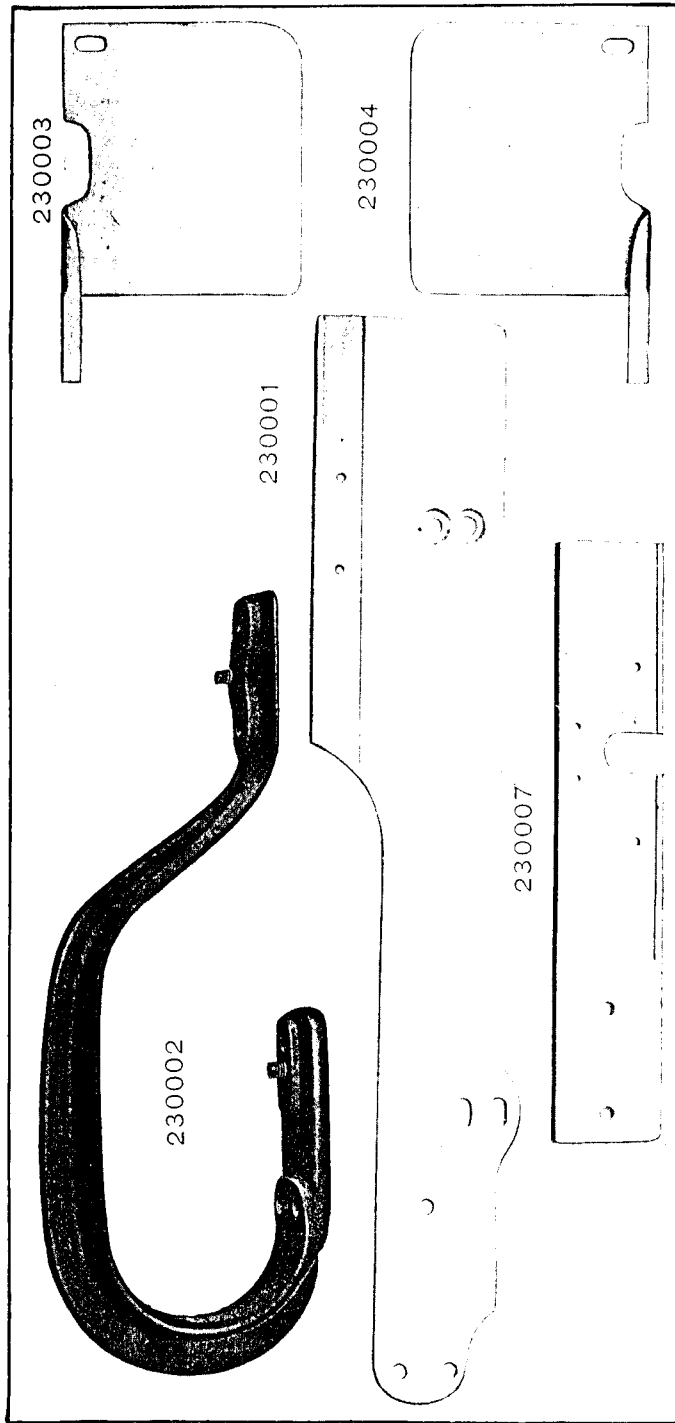
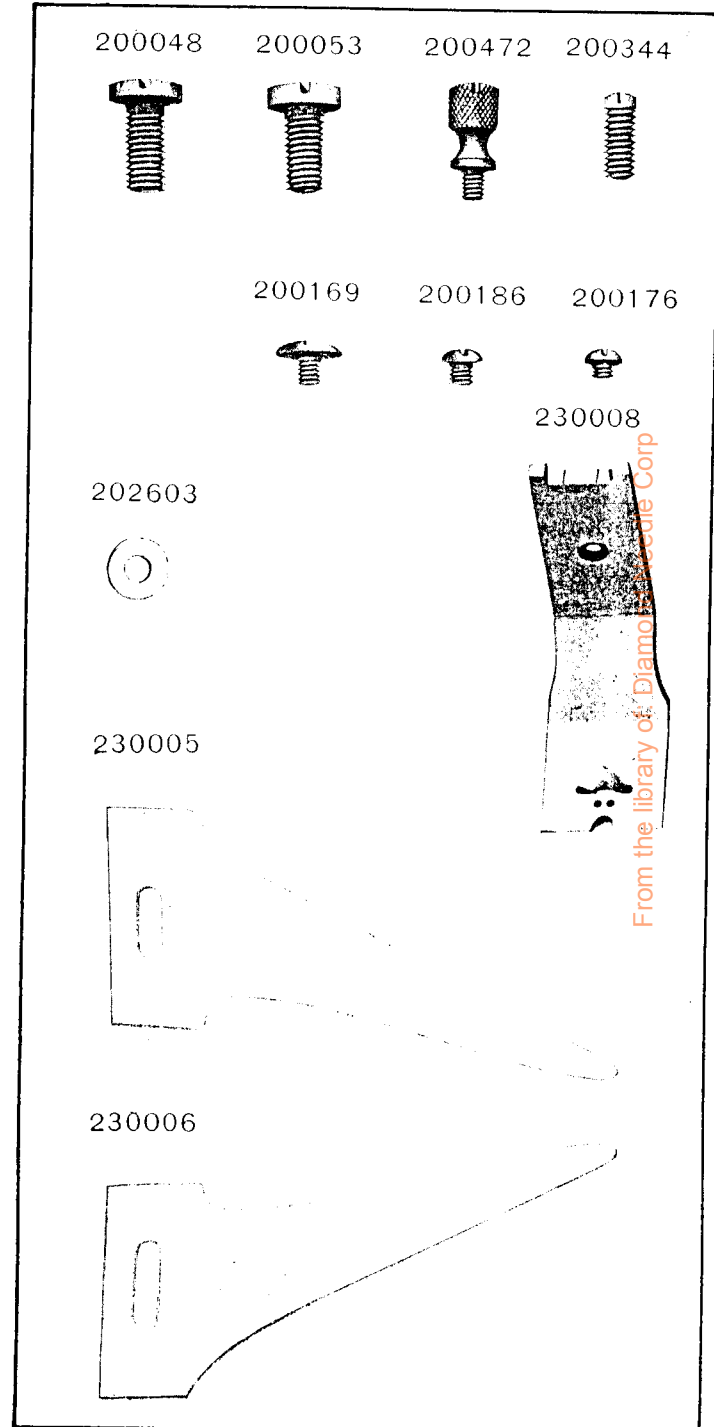


PLATE 14527—FULL SIZE



From the library of Diamol-Associate Corp

PLATE 14528—FULL SIZE

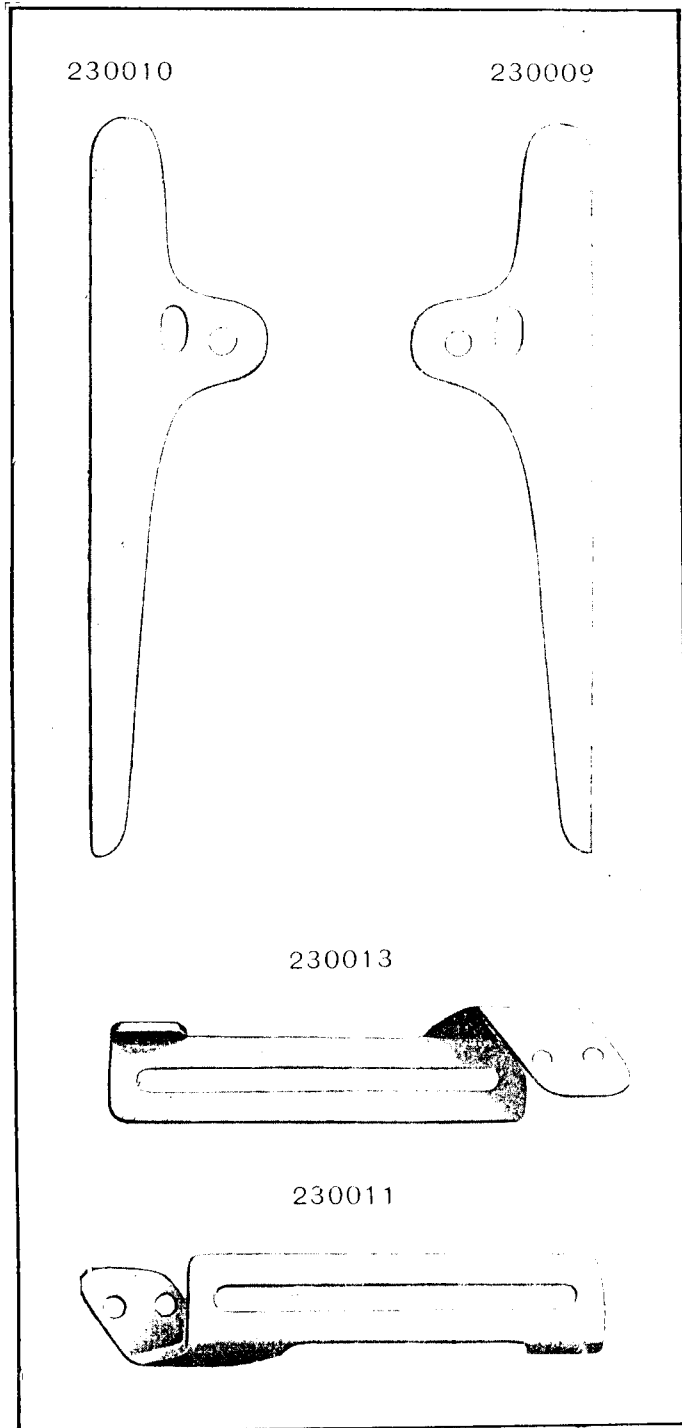


PLATE 14529—ONE-HALF SIZE

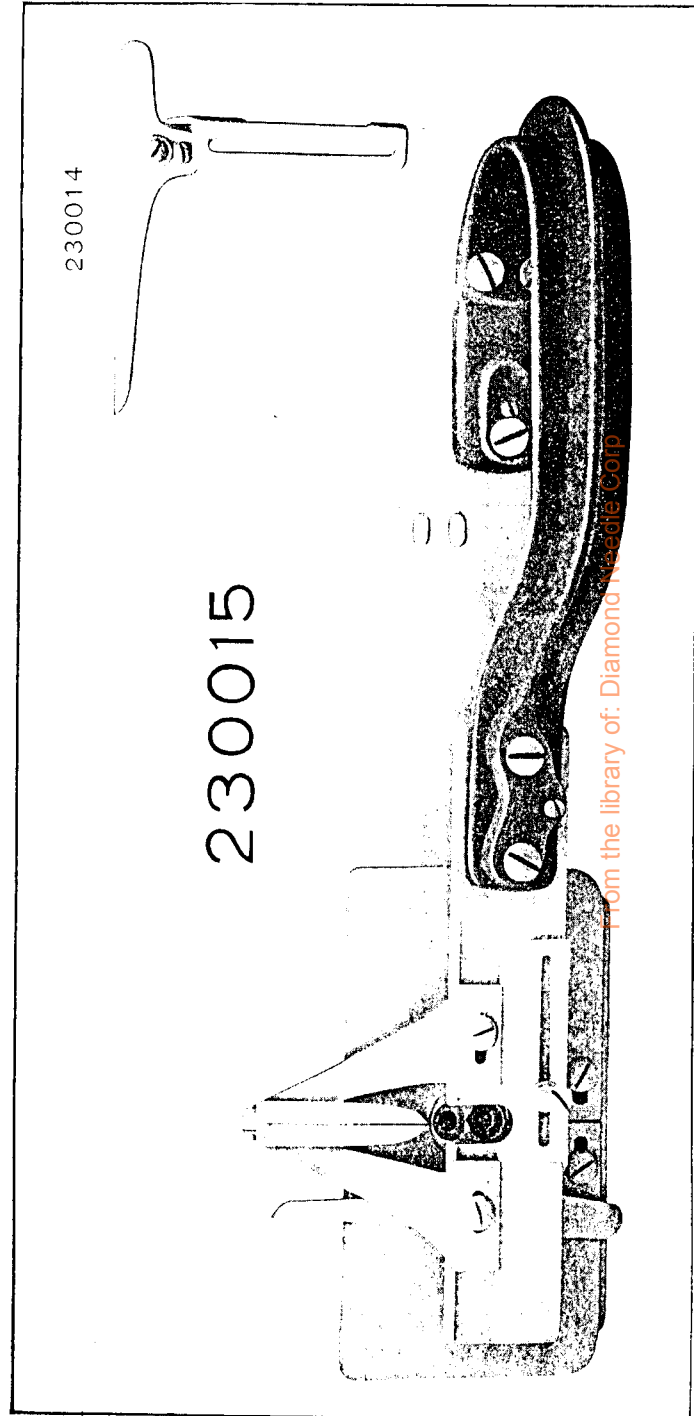


PLATE 14581 - FULL SIZE

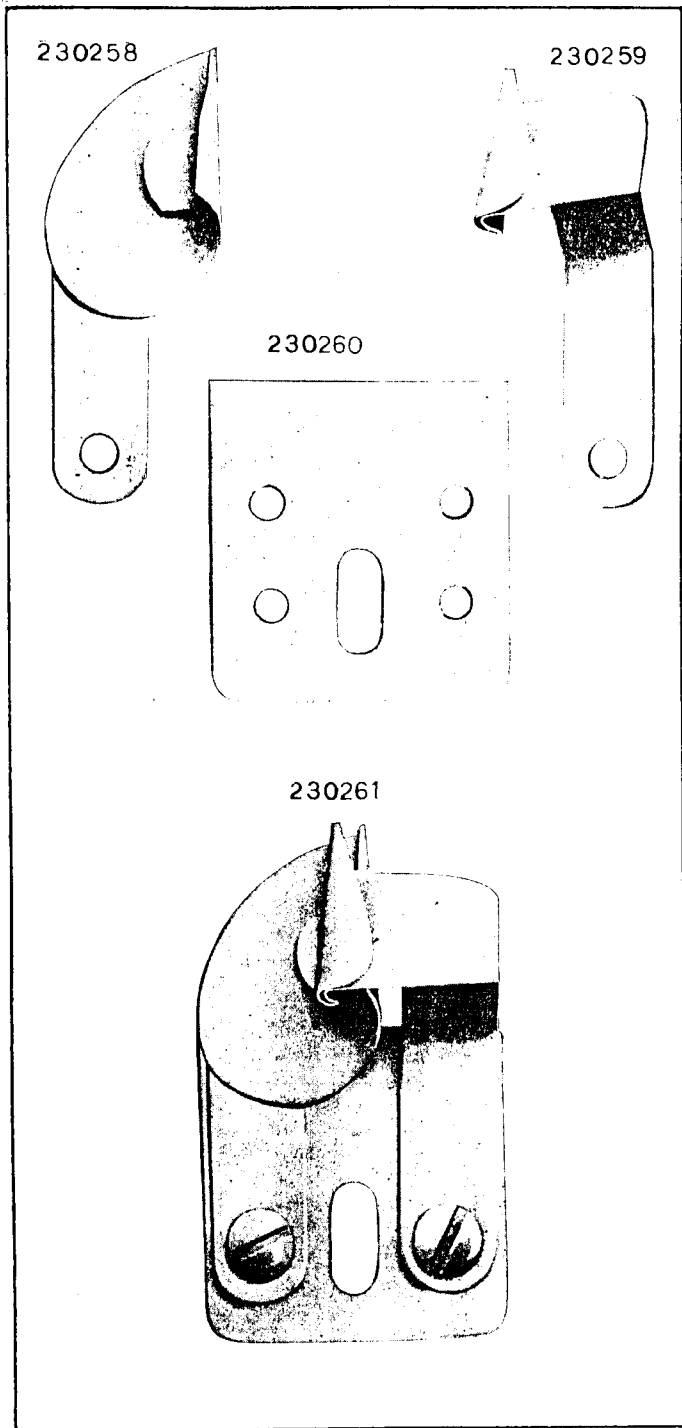


PLATE 14605 - ONE-HALF SIZE

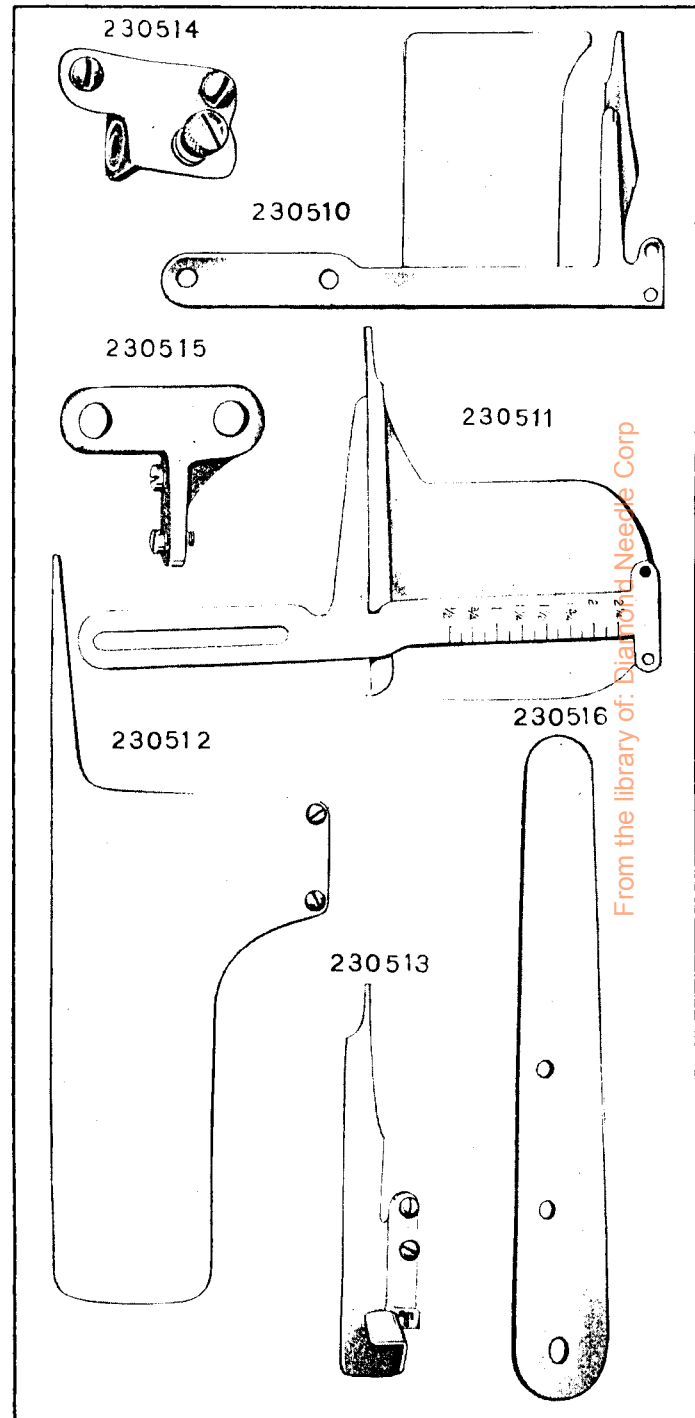


PLATE 14606--ONE-HALF SIZE

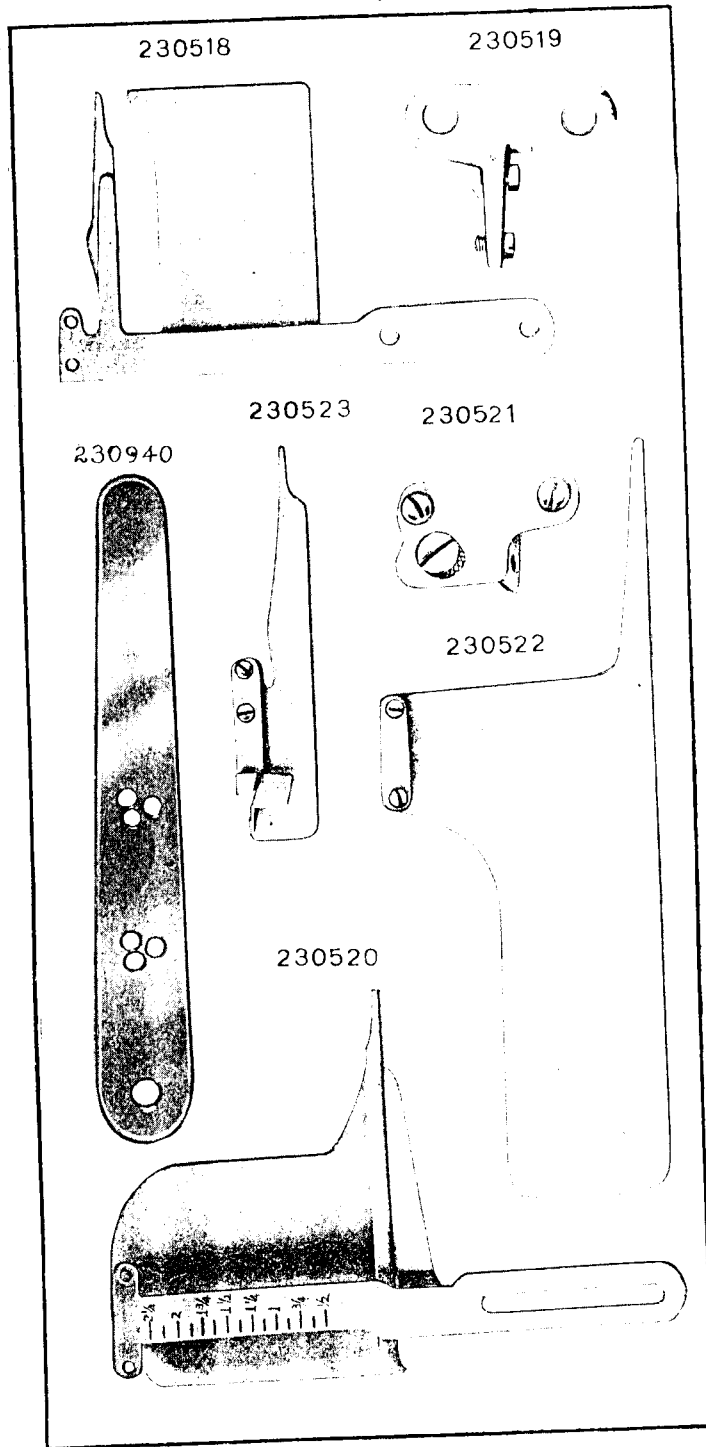


PLATE 14607--ONE-HALF SIZE

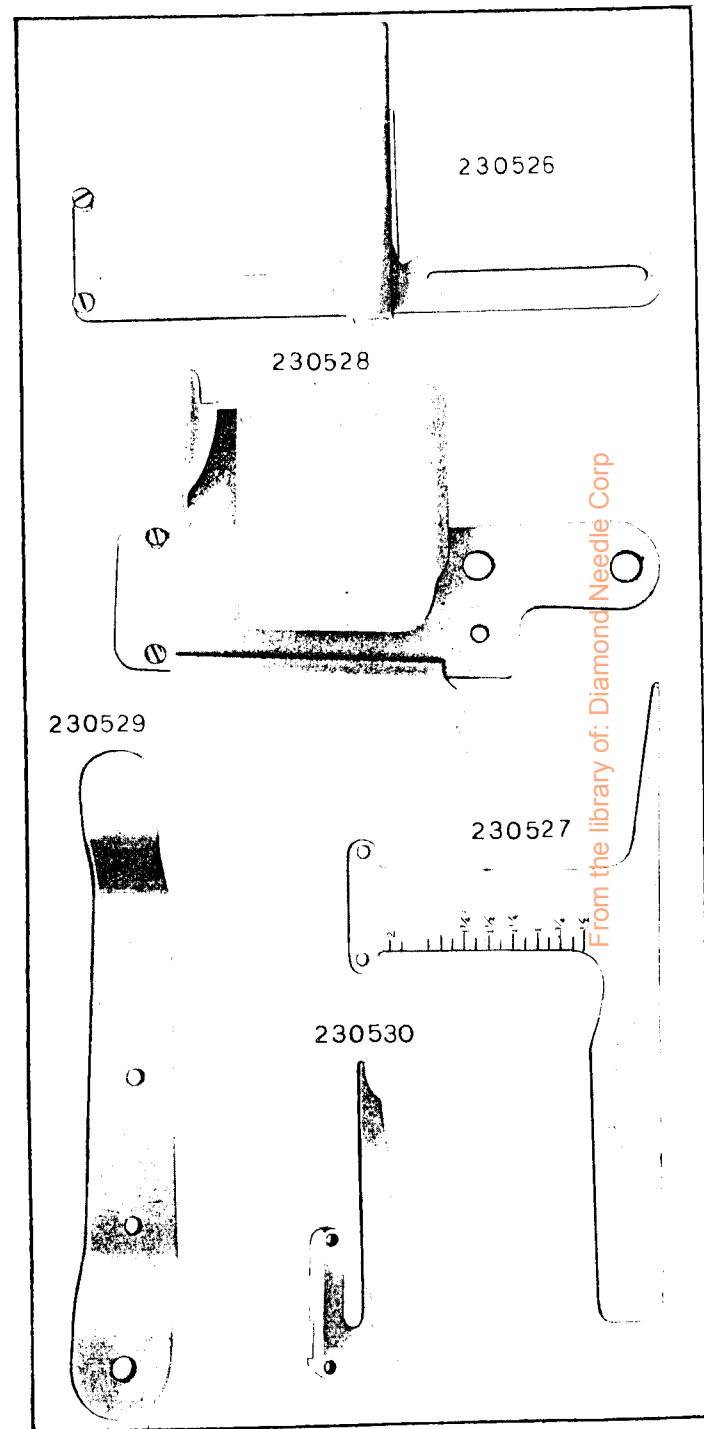


PLATE 14608-ONE-HALF SIZE

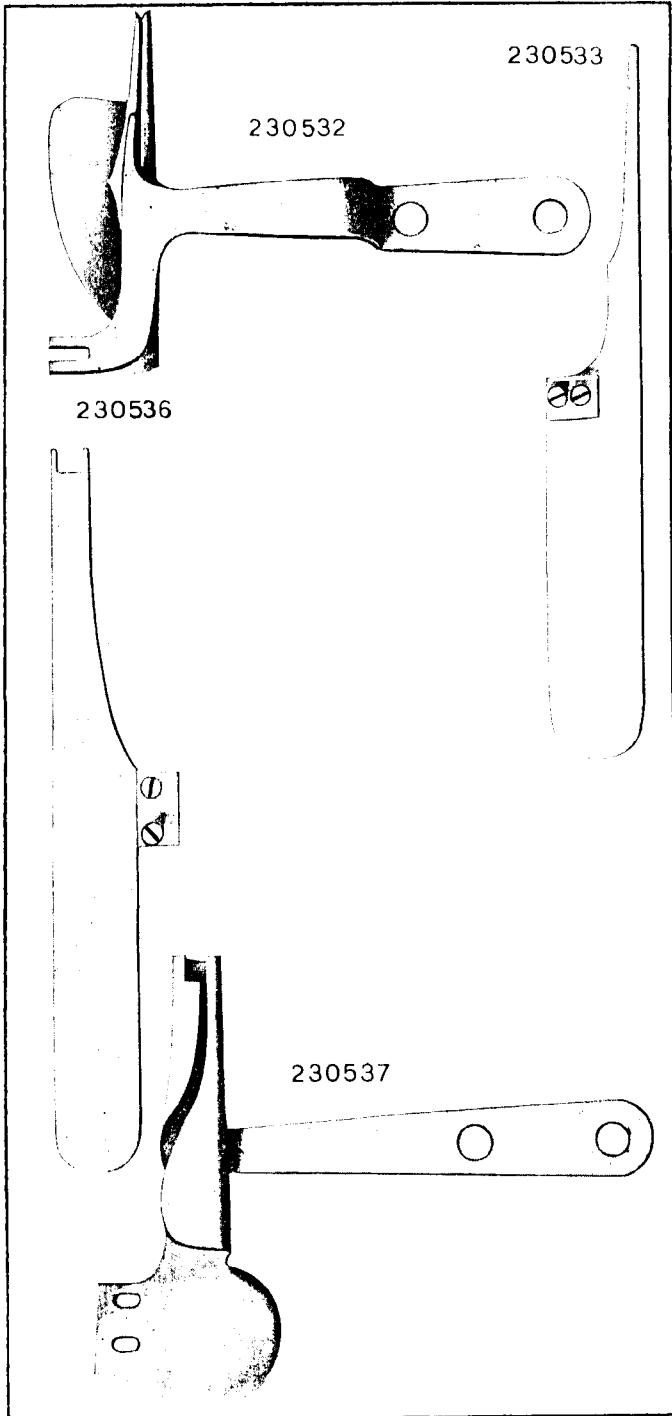


PLATE 14609-ONE-FOURTH SIZE

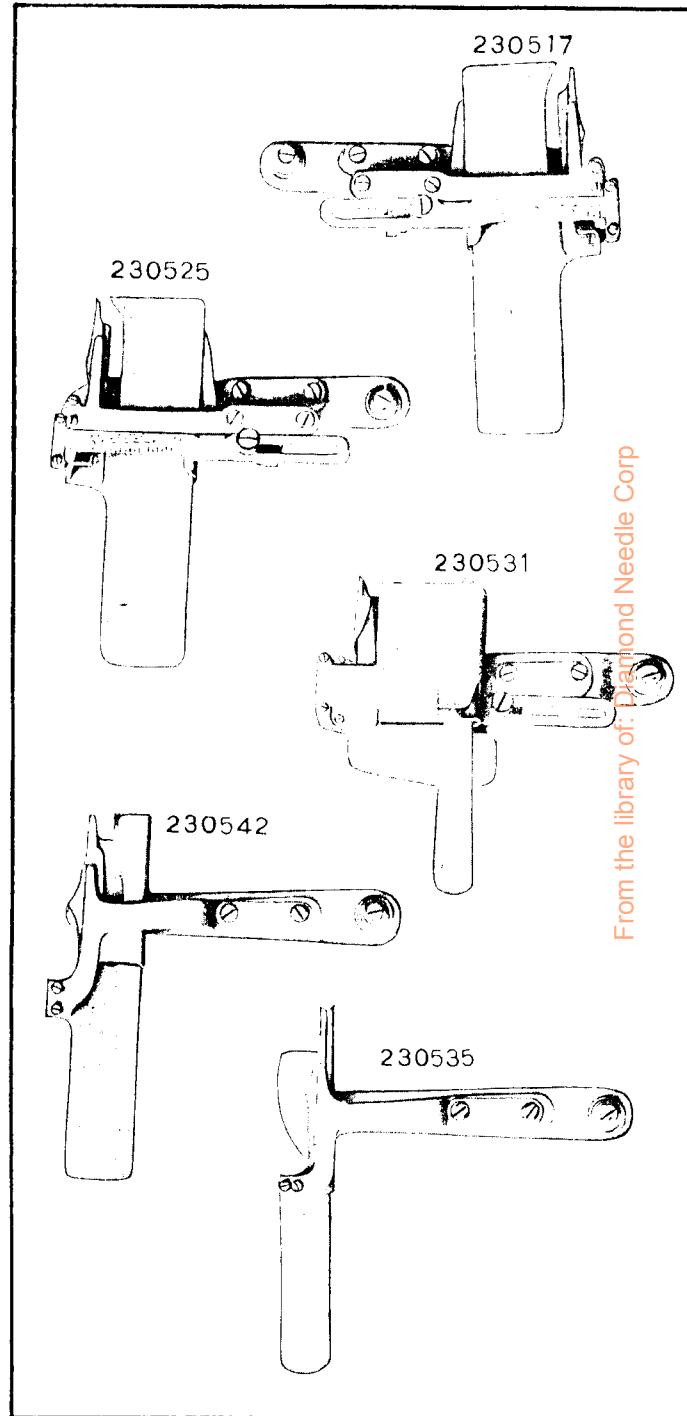


PLATE 15051—FULL SIZE

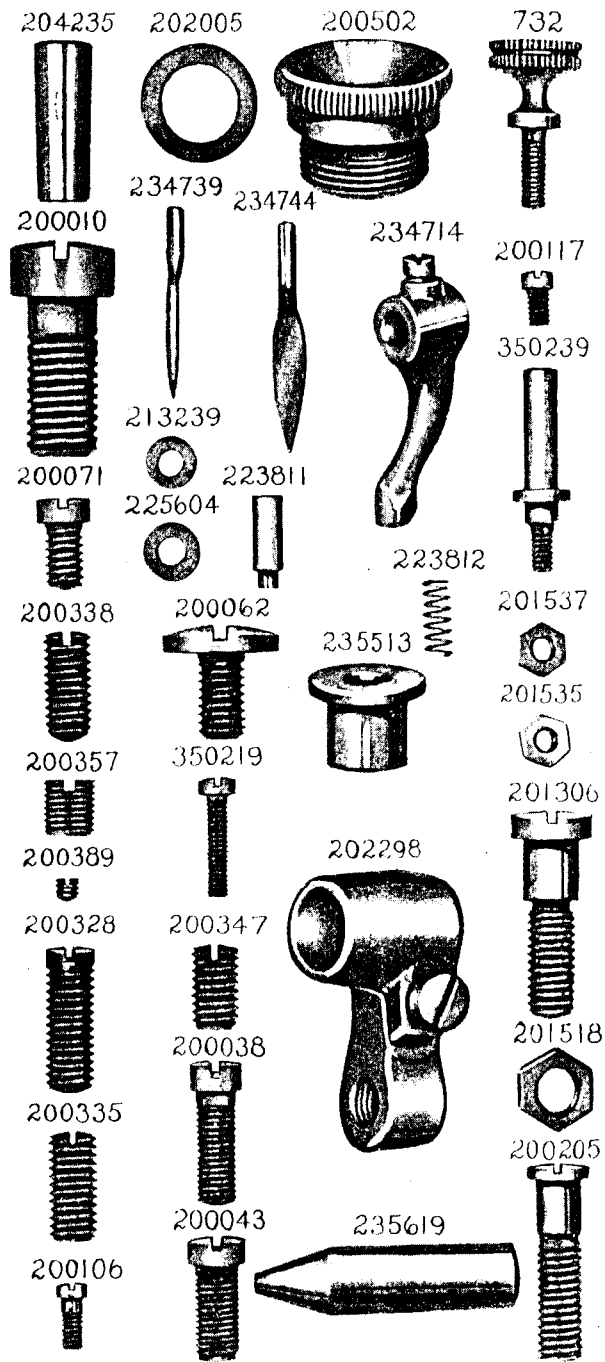
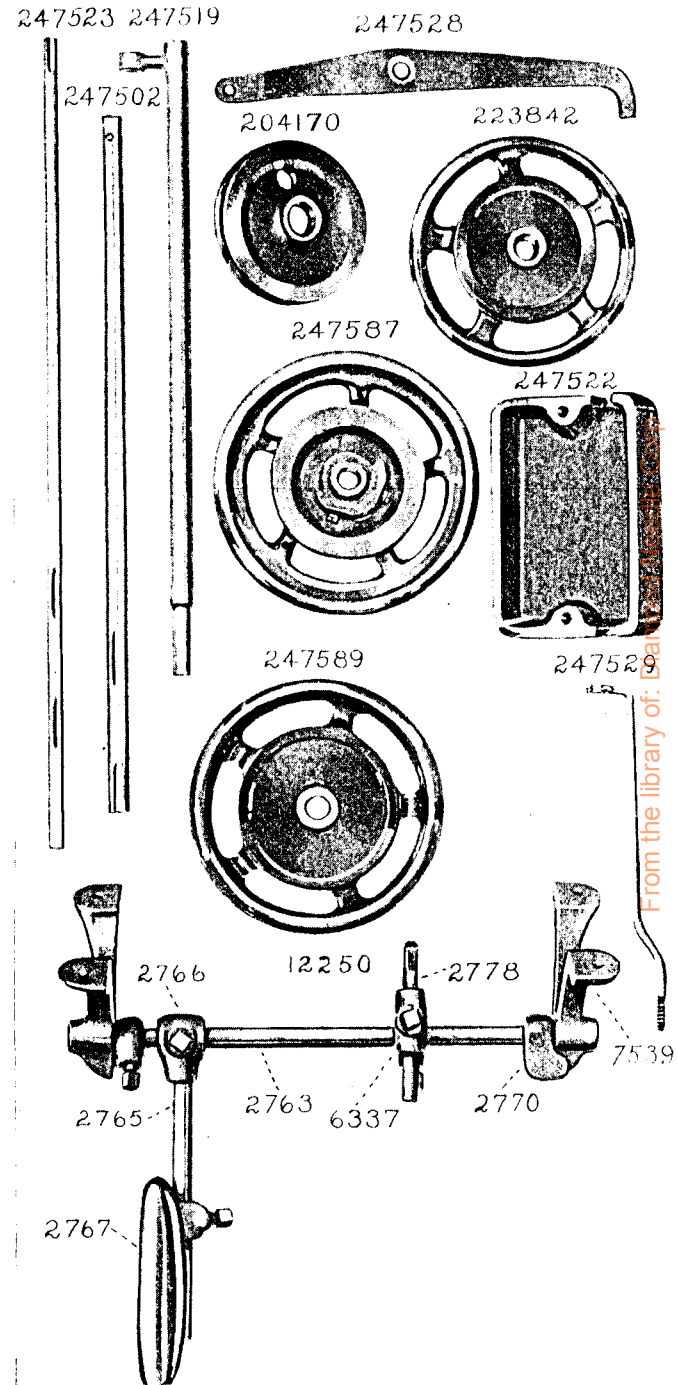


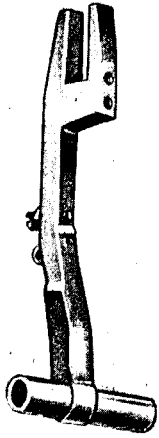
PLATE 15052—ONE-FOURTH SIZE



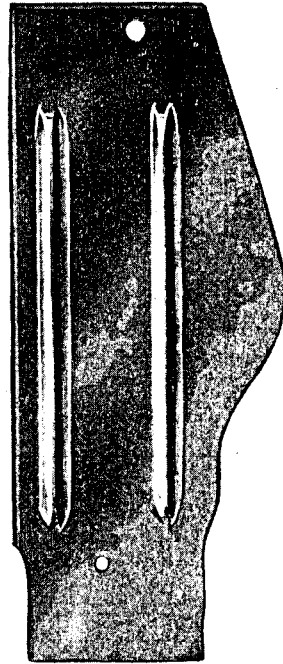
From the library of: 

PLATE 15053—ONE-HALF SIZE

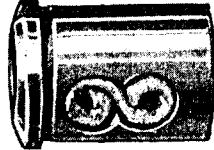
235697



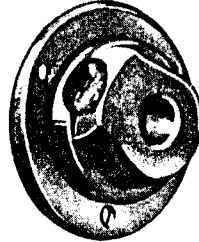
247505



207080



237748



235505

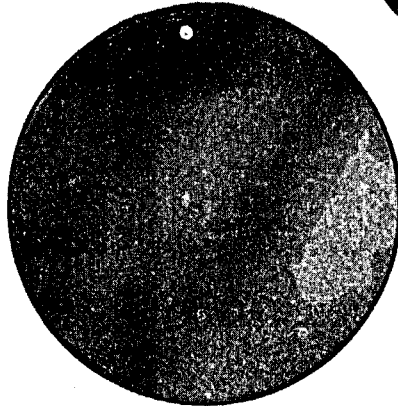
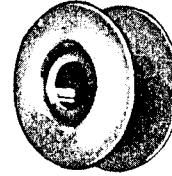
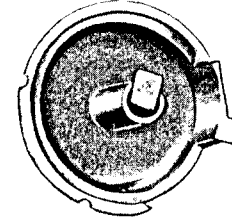


PLATE 15054—FULL SIZE

203208



235769



203211



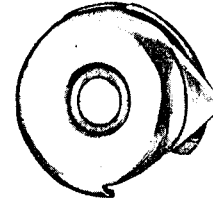
203212



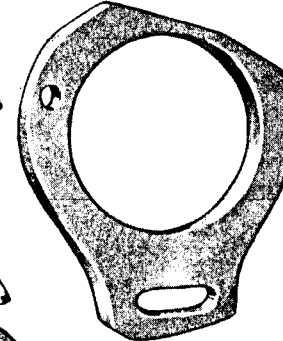
203213



235770



235751



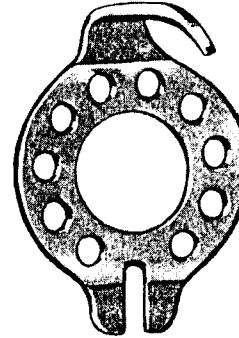
204243



200066



236078



203478



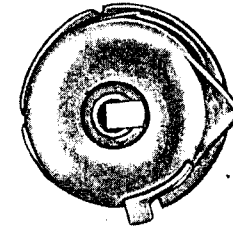
235771



200984



235772



200594



From the Library of the Department of Defense

PLATE 15055—FULL SIZE

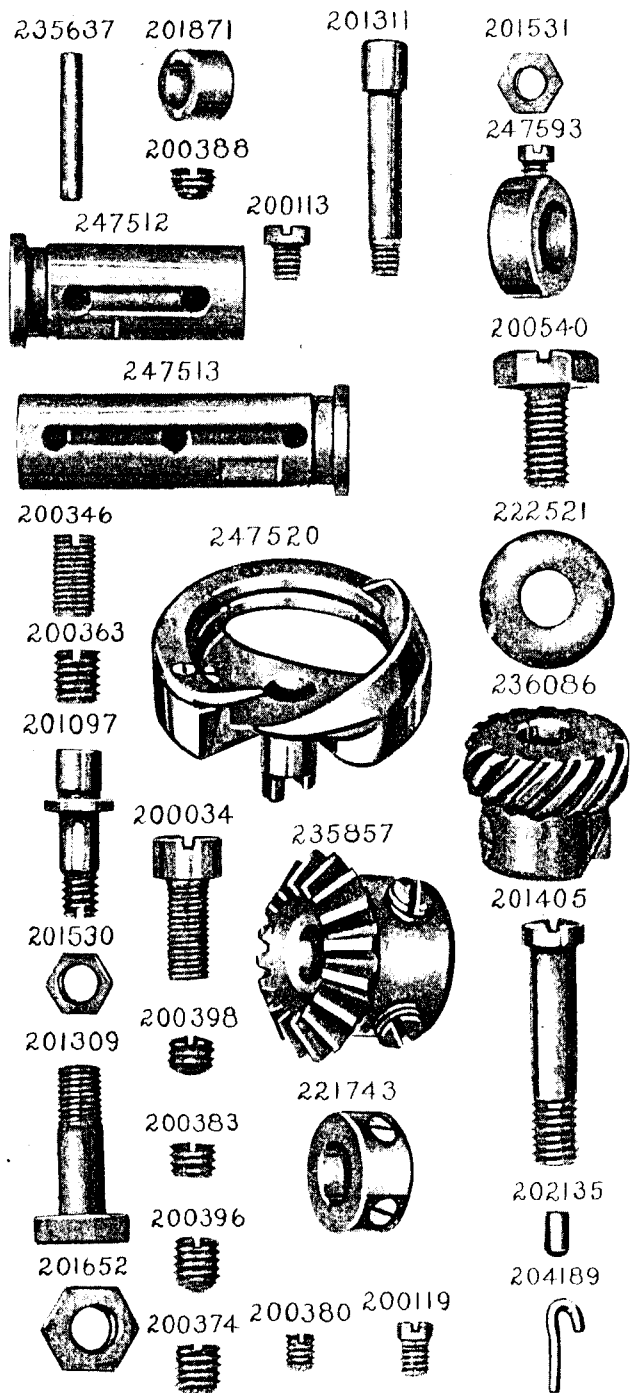
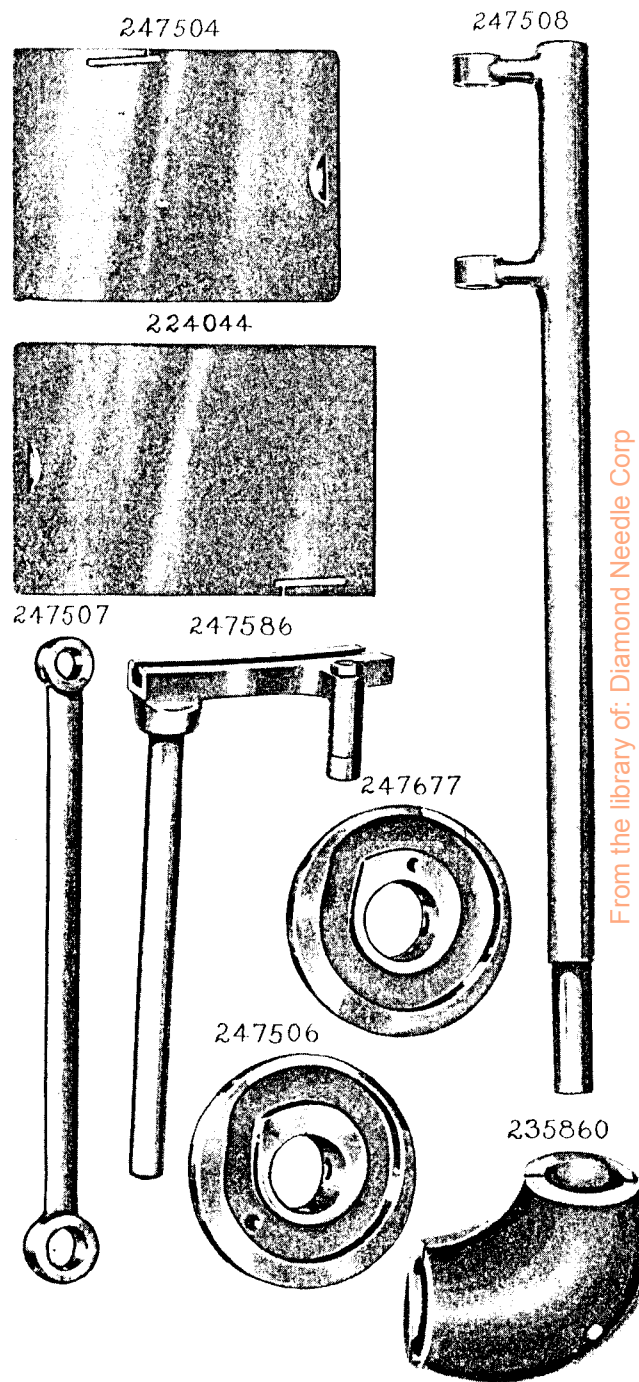


PLATE 15056—ONE-HALF SIZE



From the library of: Diamond Needle Corp

PLATE 15057—FULL SIZE

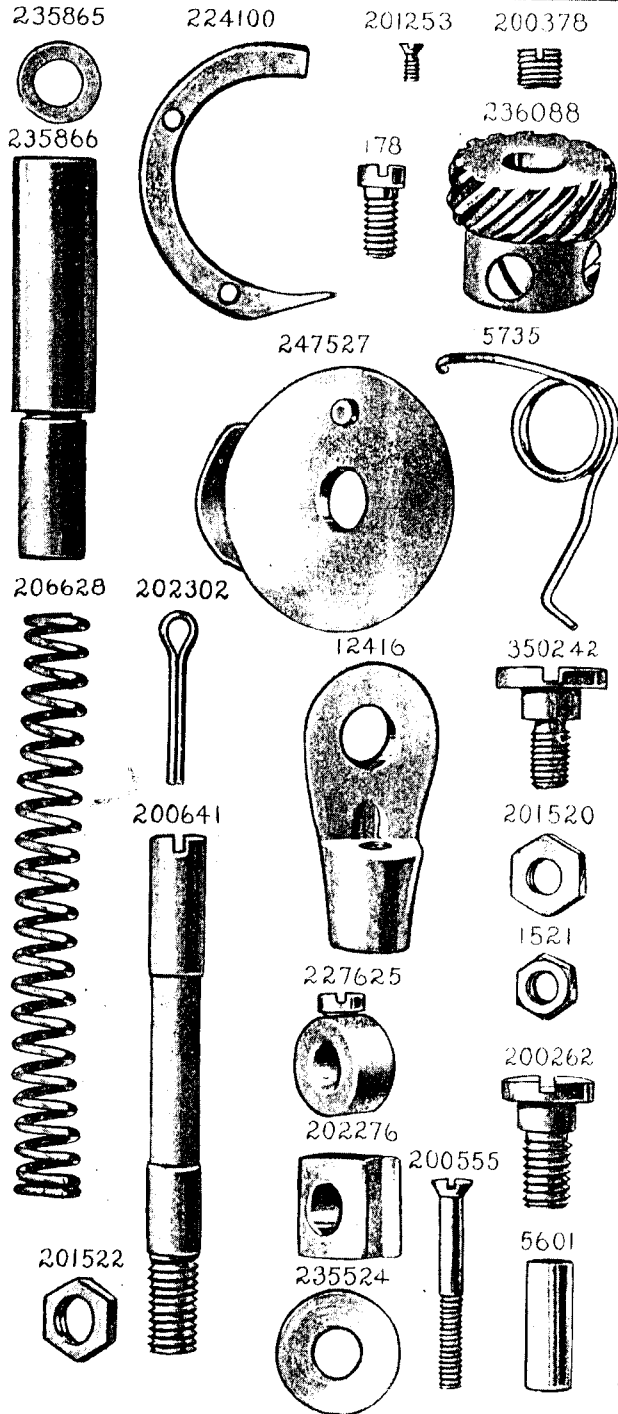


PLATE 15058—ONE-HALF SIZE

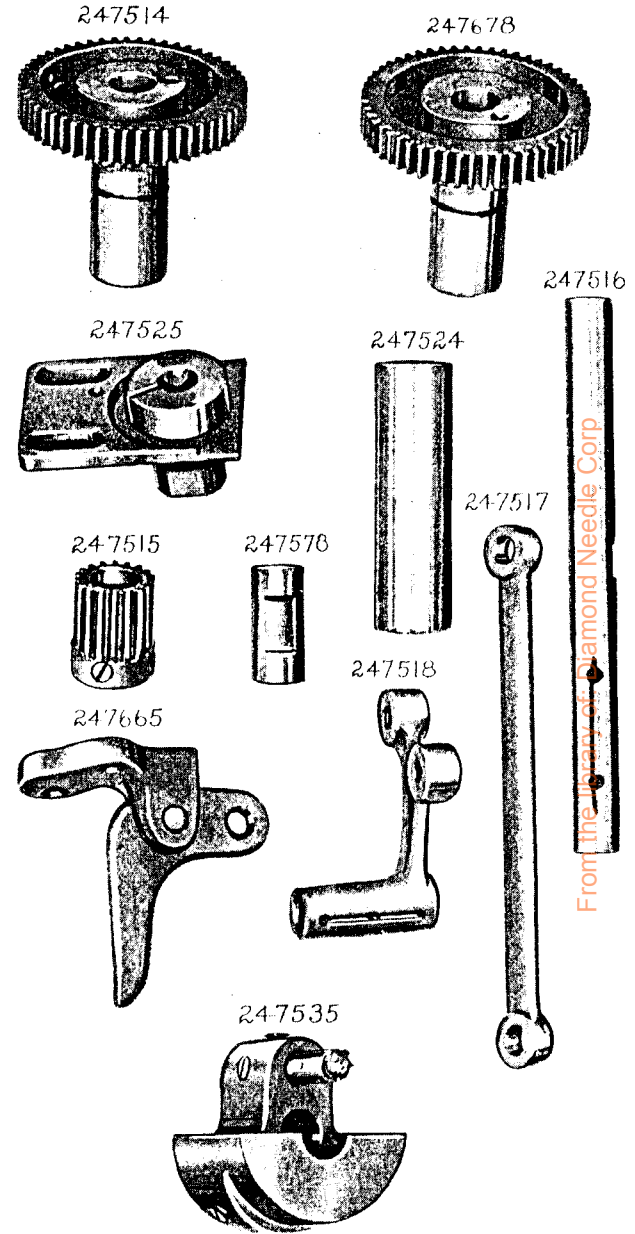


PLATE 15059—FULL SIZE

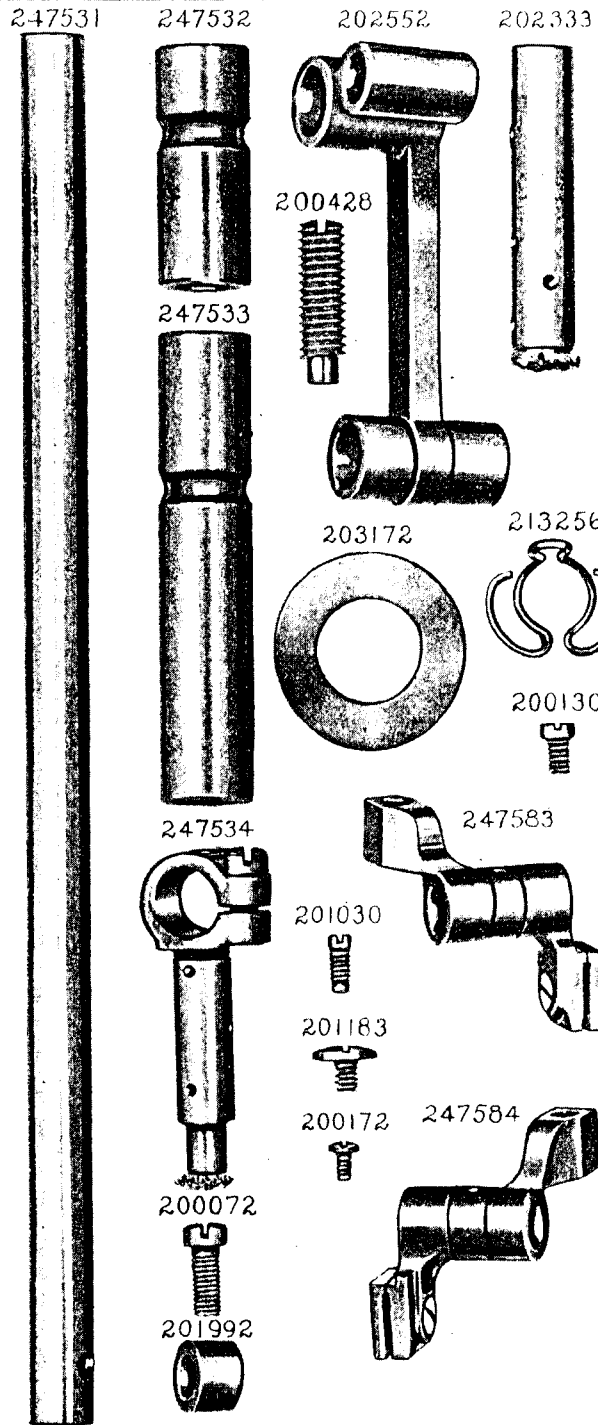
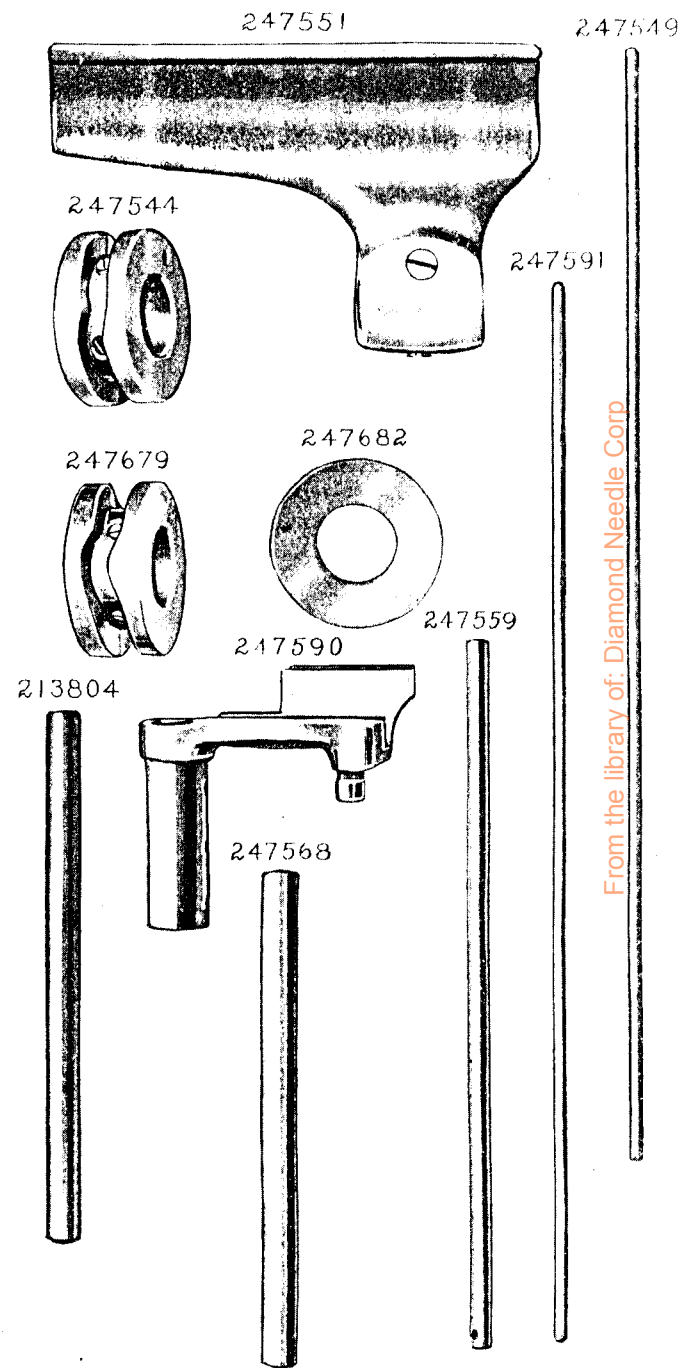


PLATE 15060—ONE-HALF SIZE



From the library of: Diamond Needle Corp

PLATE 15061—FULL SIZE

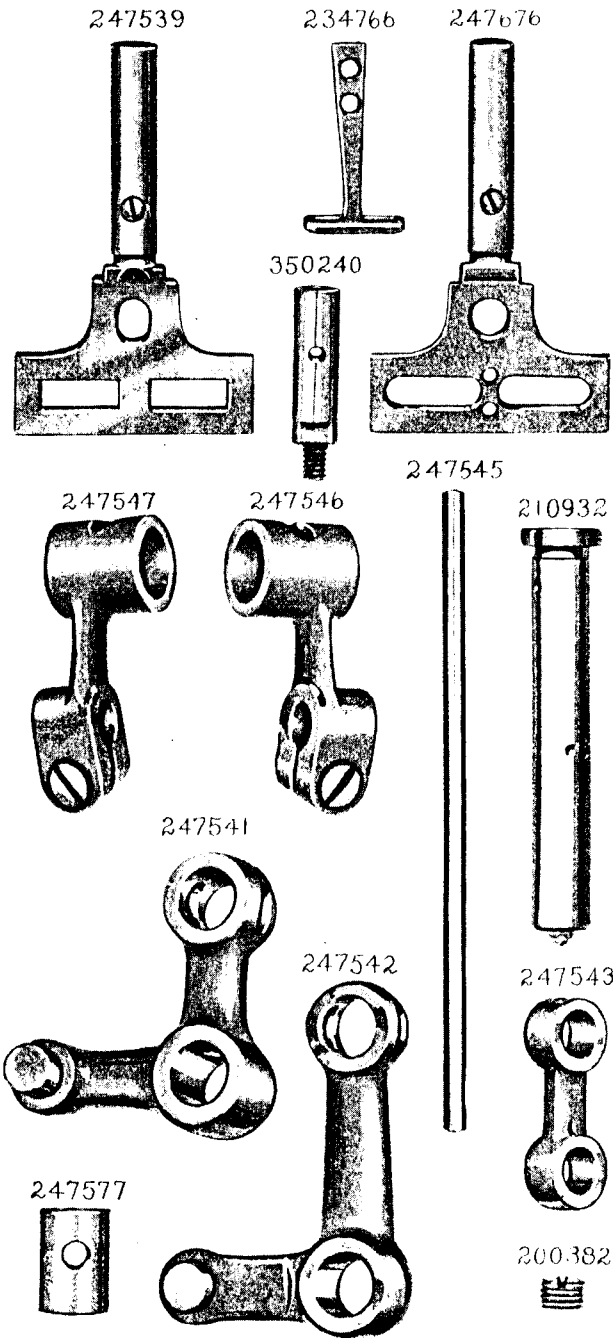
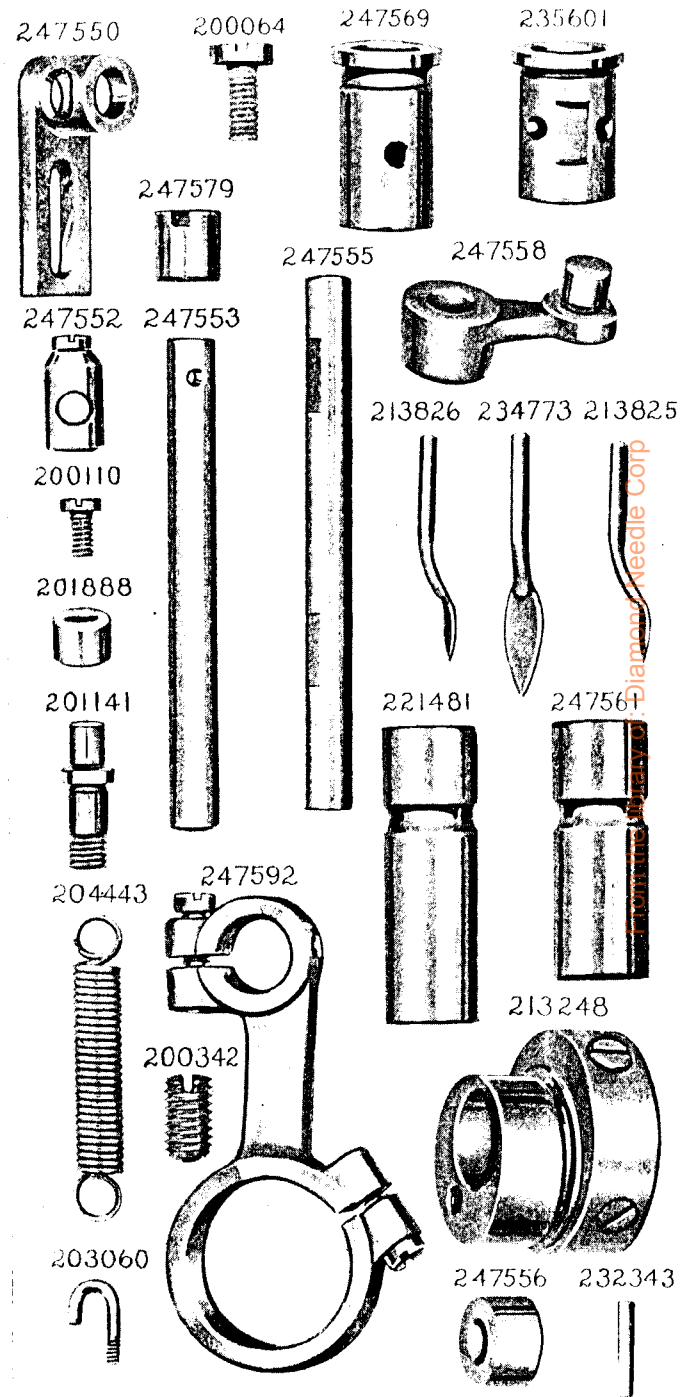


PLATE 15062—FULL SIZE



Diamond Needle Corp

PLATE 15063—FULL SIZE

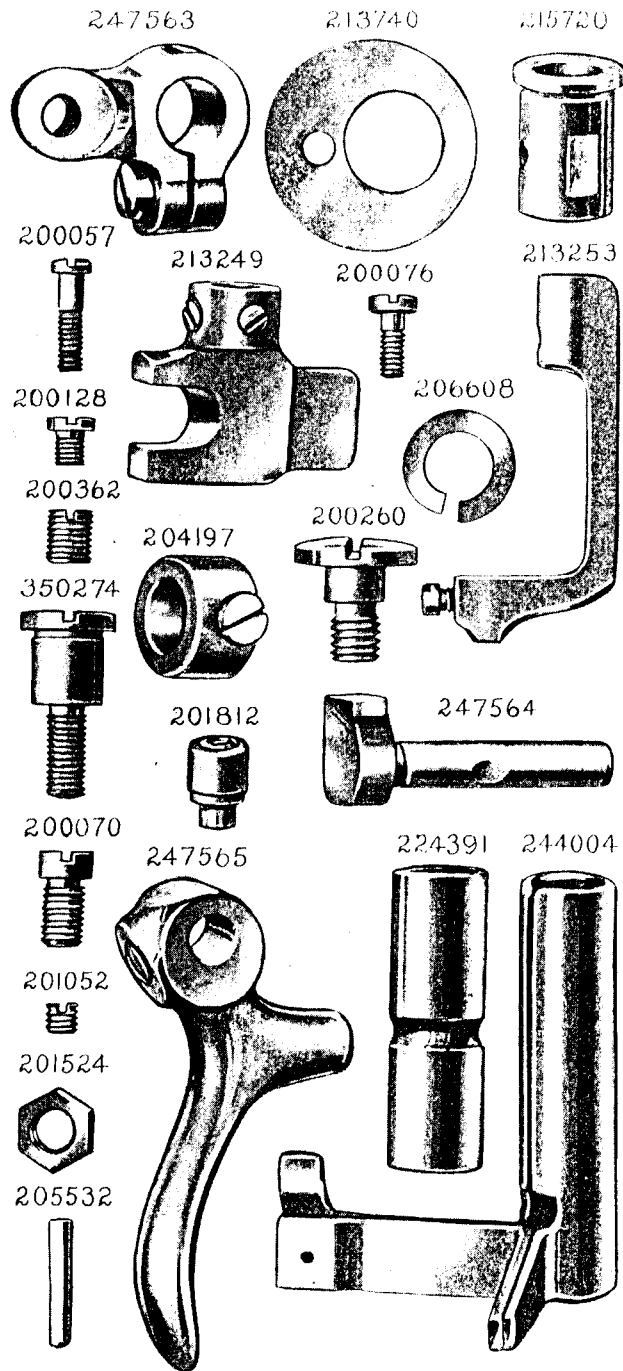
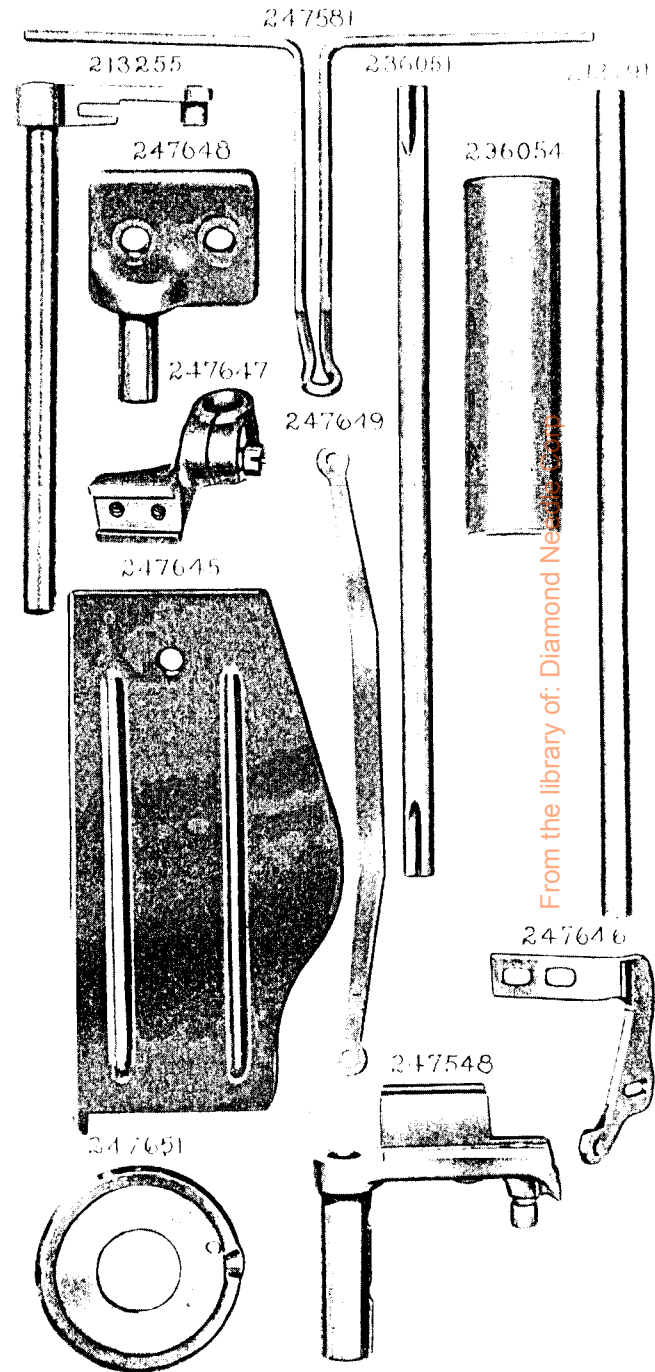


PLATE 15064—ONE-HALF SIZE



From the library of: Diamond Ne...

PLATE 15065—FULL SIZE

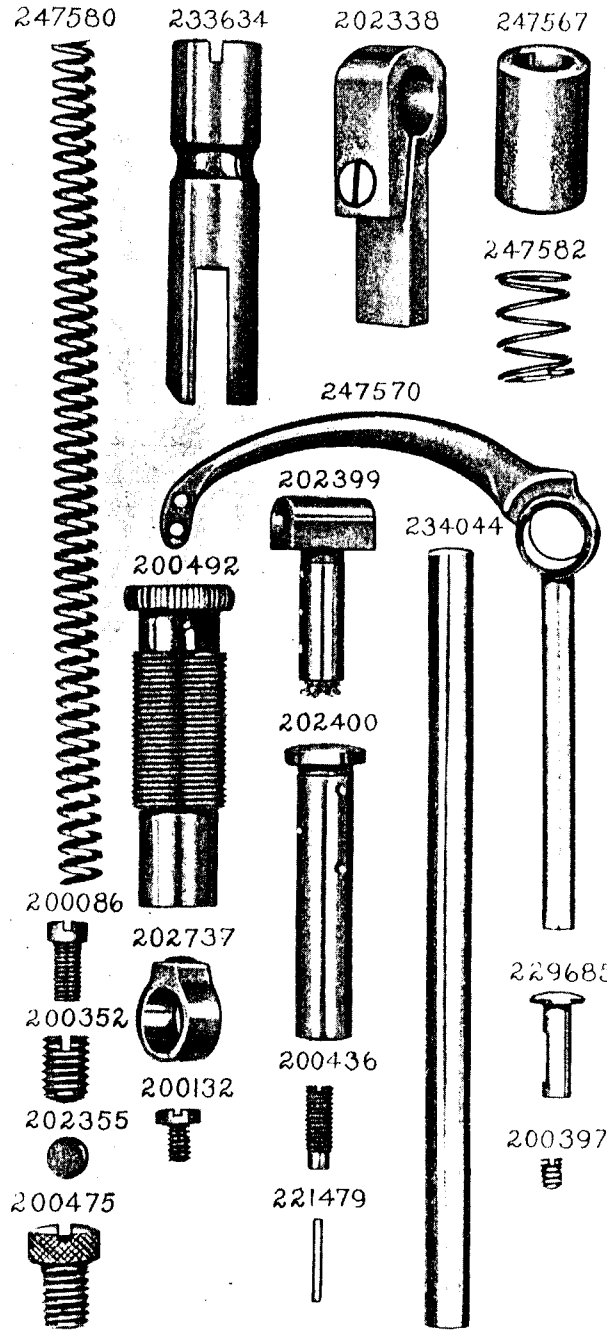
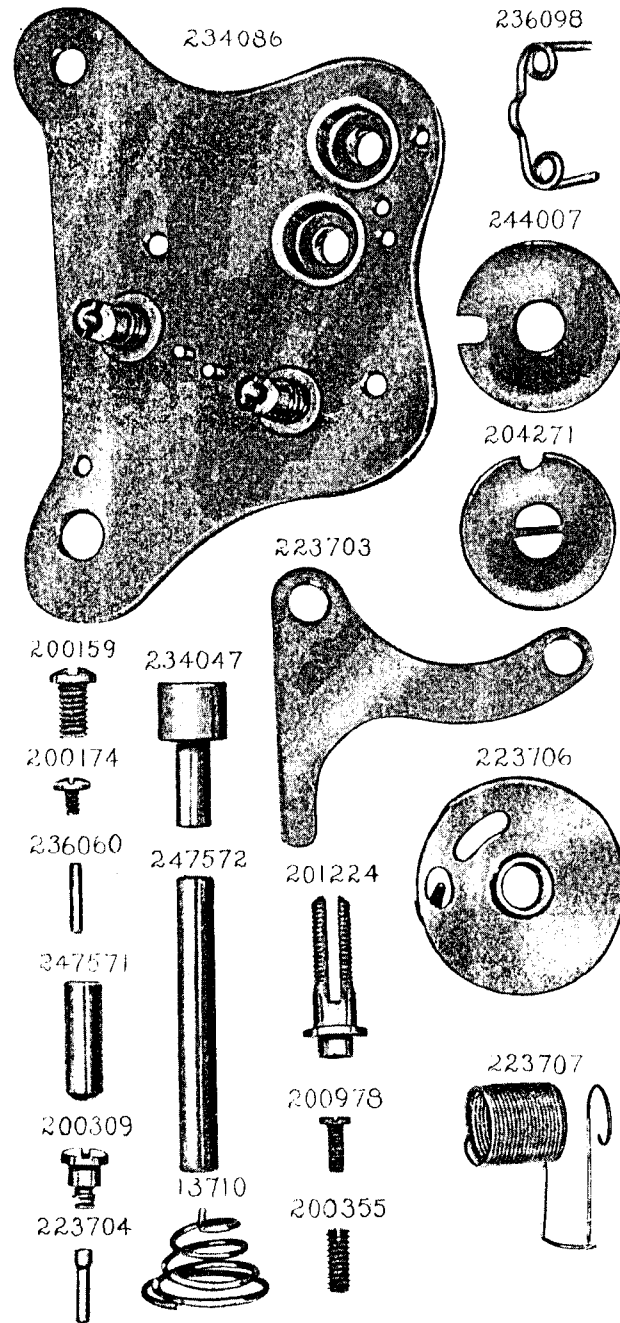


PLATE 15066—FULL SIZE



From the library of: Diamond Needle Corp

PLATE 15067--FULL SIZE

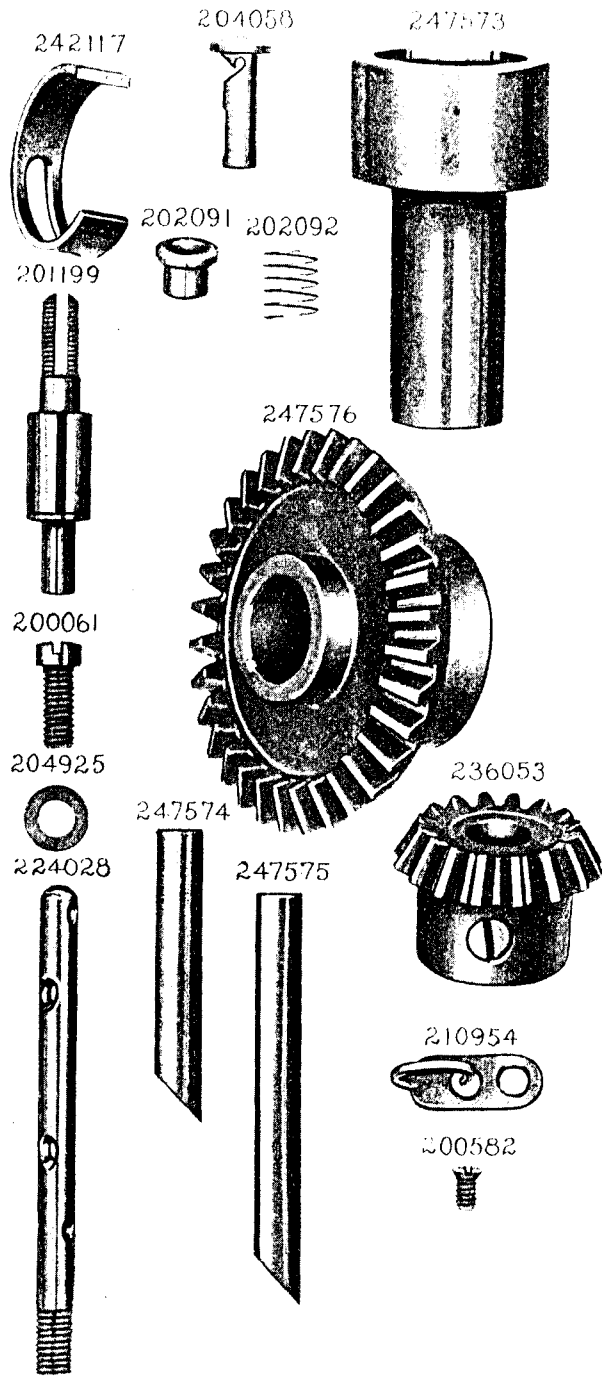
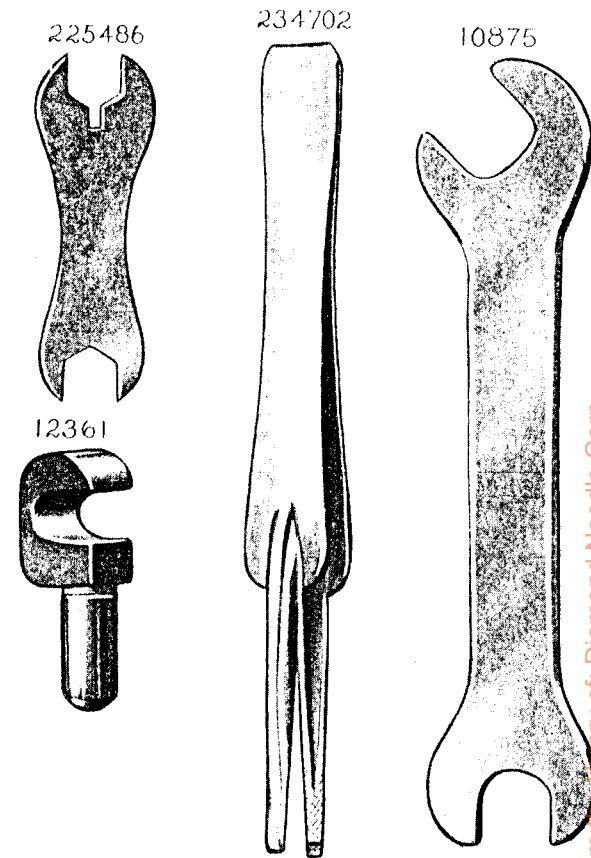


PLATE 15068--FULL SIZE



From the library of: Diamond Needle Corp

PLATE 15069—FULL SIZE

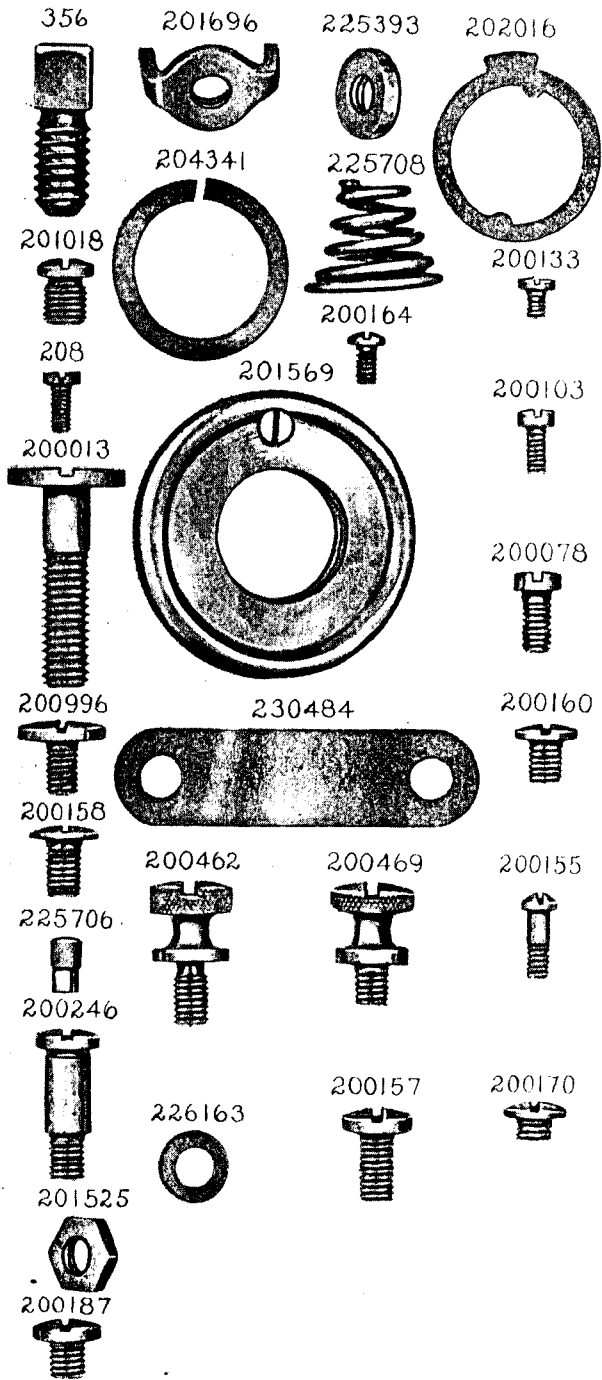
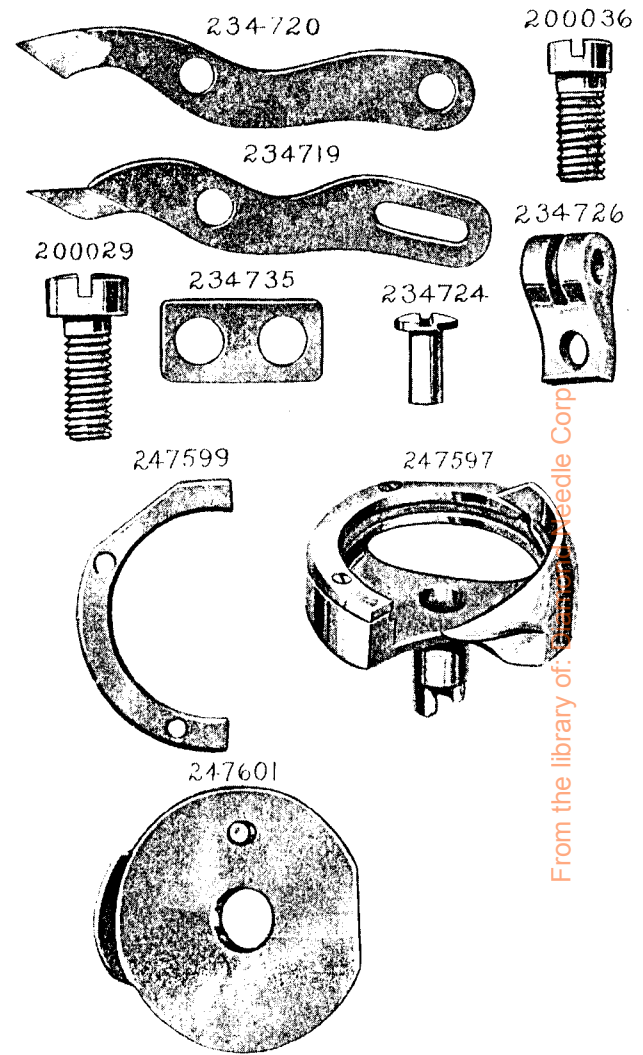


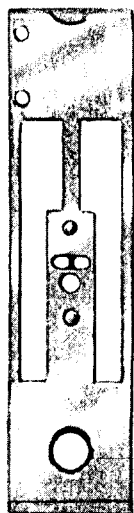
PLATE 15070—FULL SIZE



From the library of: Needle Corp

PLATE 15071—FULL SIZE

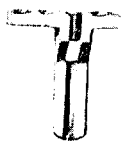
247594



212827



247696



200577



200161



200587



203376



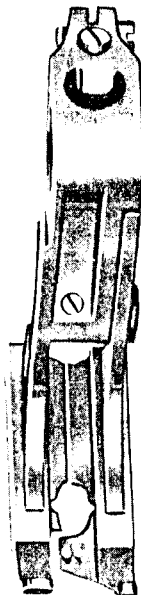
229706



229707



229837



229796

